



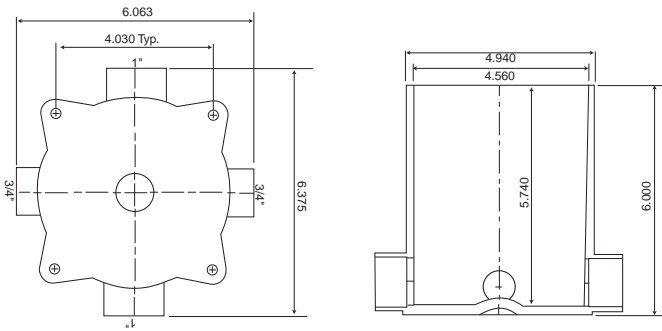
TECHNICAL INFORMATION

ELECTRICAL SYSTEMS

NONMETALLIC FLOOR BOX AND ACCESSORIES

- Floor Box
- Universal Leveling Ring Adapter
- Tri-Service Universal Divider Kit
- Y-Connector
- Duplex Receptacle Cover
- Brass and Nickel Cover Plates

Kraloy® FB Floor Box



Product Description

Kraloy® FB Floor Box is a 4-1/2" (ID) round PVC floor box packaged with two 1" and three 3/4" dual-purpose reducer/plugs and a temporary-use protective cap.

Product Code: 078876

Application:

Installed in poured-in-place concrete or wood floors, the Kraloy FB Floor Box provides for flush-mounted power and/or communications data cabling in open-space areas. Floor box applications include shopping centers, theaters, department stores, airports, hospitals and office buildings.

Physical Properties:

Kraloy FB Floor Box is molded of PVC and accepts adapter rings and cover-plate assemblies sized for 4-1/2" diameter round floor boxes. The conduit hubs permit a PVC solvent cement connection of Rigid PVC Conduit (Schedule 40 and 80) and/or Electrical Nonmetallic Tubing.

Specification:

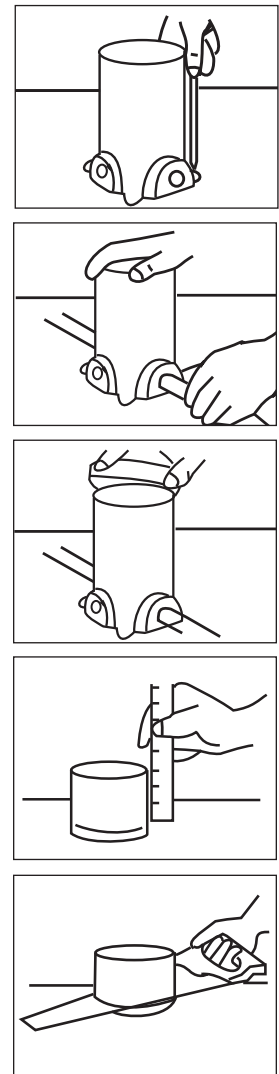
The floor box, specifically listed for floor box applications, shall be of PVC construction with molded conduit hubs sized to accept Rigid Nonmetallic Conduit (RNC) and/or Electrical Nonmetallic Tubing (ENT). The round floor box shall have a nominal 4-1/2" inside diameter and four conduit hubs (2 x 3/4" and 2 x 1") opposing each other at 90 degrees. The floor box shall be supplied with dual-purpose reducer/closure plugs for the conduit hubs and a disposable protective cap to shield the interior of the box during the concrete pour.

Acceptable Manufacturers: Kraloy



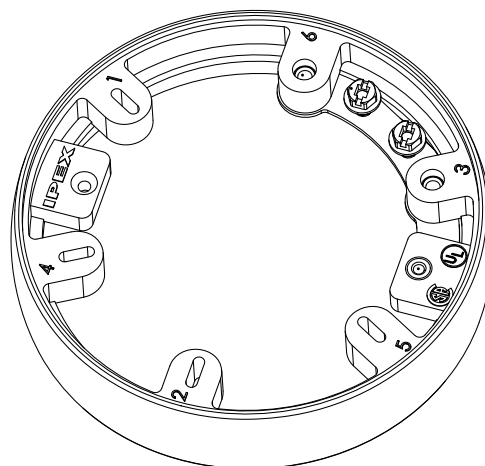
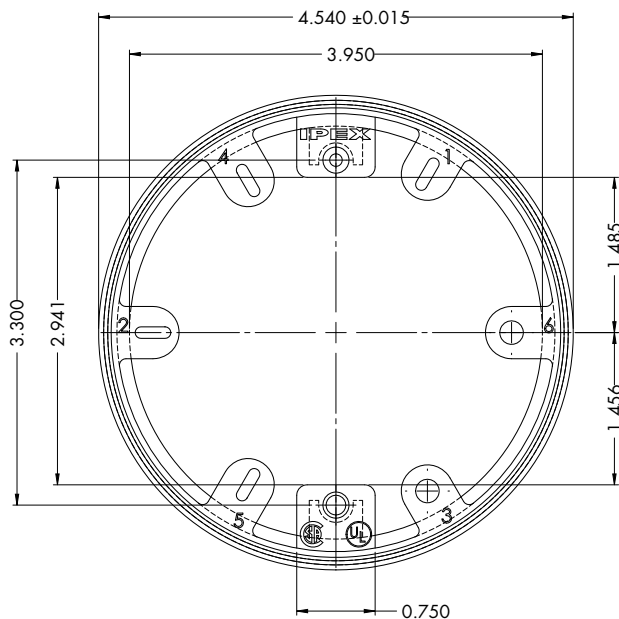
Installation Procedure:

1. Set floor box on level surface or secure to form with screws at the four pre-cut holes. In poured concrete above the ground floor, the box should be raised to maintain adequate concrete beneath the floor box.
2. Solvent cement conduit into corresponding outlet(s) in box.
3. Attach temporary cover and seal vacant outlet with solvent-cemented plugs. Pour concrete.
4. Remove temporary cover; measure thickness of floor to be applied and draw a line around the box at this distance from the concrete.
5. Use a handsaw to cut the box at the floor line.



Note: Box may extend above finished concrete. Box is cut to exact height with a handsaw. Leveling ring assures a level top, even if the box is knocked at an angle during the pouring process.

Kraloy® LRA-U Universal Leveling Ring Adapter



Product Description

Kraloy® LRA-U Universal Leveling Ring Adapter is a molded PVC adjusting ring with a beveled outer edge.

Product Code: 078446

Application:

The LRA-U Adapter Ring provides the means for attaching brass cover plates to the round floor boxes. The Kraloy LRA-U accepts the leading brands of brass cover plates and is compatible with most manufacturers' nonmetallic round floor boxes (4-1/2" I.D.).

Physical Properties:

The Kraloy LRA-U packages include the leveling ring adapter and three self-tapping brass screws for cover attachment. The LRA-U accepts Kraloy, IPEX, Hubbell, and LEW brass cover plates. Screw mounting holes are numbered to ensure the correct alignment and attachment of different manufacturers' metallic cover plates.

Specification:

The attachment ring for connecting metallic cover plates to round floor boxes shall be compatible with 4-1/2" I.D. floor boxes and suitable for use with cover plate options from select manufacturers. The ring shall have a beveled edge to provide for a degree of leveling adjustment. Covers can be attached to a leveling ring adapter via machine screws provided with cover.

Approved Products: Kraloy LRA-U



Installation Procedure:

The leveling ring adapter is designed to be used with a Kraloy Floor Box. It is used to attach brass and plastic floor covers made by various manufacturers to the floor box. The following is a list of known covers that can be attached to this adapter. The holes to be used for mounting are indicated beside each cover manufacturer. There may also be additional covers that are not listed below that can be used with this adapter. To attach covers use machine screws supplied with covers. Follow installation instructions supplied with the floor box and covers.

Manufacturer	Use Hole Number
Kraloy/IPEX	1, 2 & 3
Lew	1, 2 & 3
Hubbell	4, 5 & 6

Kraloy® FBUDK Tri-Service Universal Divider Kit

Product Description

Kraloy® FBUDK Tri-Service Universal Divider Kit is a component packaged divider kit for universal fit in round PVC floor boxes.

Product Code: 078993

Application:

The Kraloy FBUDK Tri-Service Universal Divider Kit partitions round PVC floor boxes separating power and low voltage wiring thereby permitting power, data and communication cabling within one floor box.

Physical Properties:

The Kraloy FBUDK Kit is supplied as a package that is field adjustable to install in round floor boxes with inside diameters ranging from 4-1/4" – 4-3/4" with a minimum depth of 3" to a maximum depth of 6". The FBUDK is approved to be used with the leading brands of round floor boxes including Kraloy, IPEX, Carlon, Cantex, Hubbell, Thomas & Betts and LEW. Each kit includes an adjustable two-part lower base, a 1-1/4" diameter riser tube, an upper receptacle holder and communication cable grommets.

Specification:

The separation of power, data and communication cabling within a round floor box shall be achieved with the use of a divider package designed for the purpose. The divider kit shall universally fit PVC round floor boxes with diameters between 4-1/4" and 4-3/4".

Approved Products: Kraloy FBUDK



Installation Procedure:

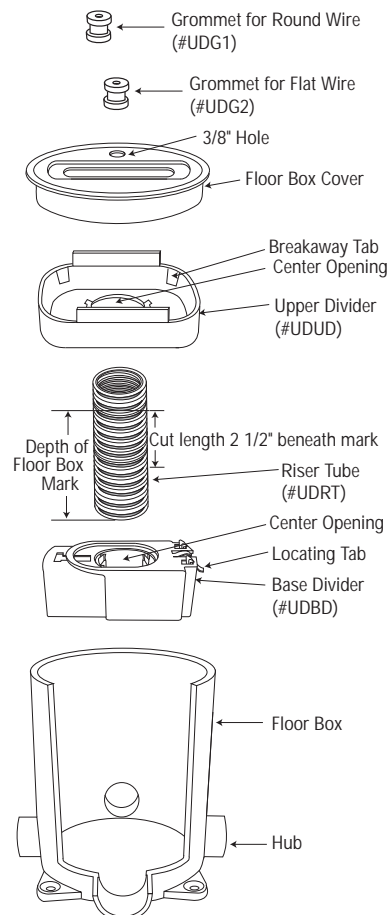
The Tri-Service divider kit is designed for use after the floor box has been properly installed and trimmed to floor level per the floor box installation instructions. The product is not warranted unless correctly installed per the following assembly instructions.

1. Adjust the riser tube (#UDRT) to the proper height by placing the tube in the box. Mark the depth of the box on the tube. Cut the tube 2-1/2" beneath the mark.
2. Place base divider (#UDBD) in the bottom of the floor box by pulling the electrical wires through the center opening. Compress the base divider (#UDBD), allowing it to slide freely down into the box. Align the base divider (#UDBD) with the desired hubs. Press the locating tab down to secure the base divider (#UDBD) into position.

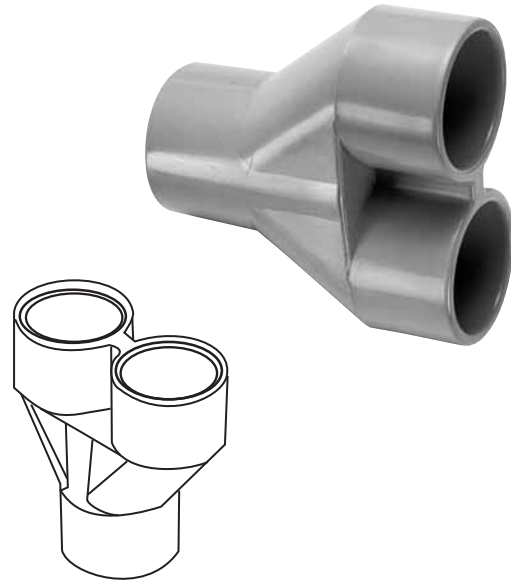
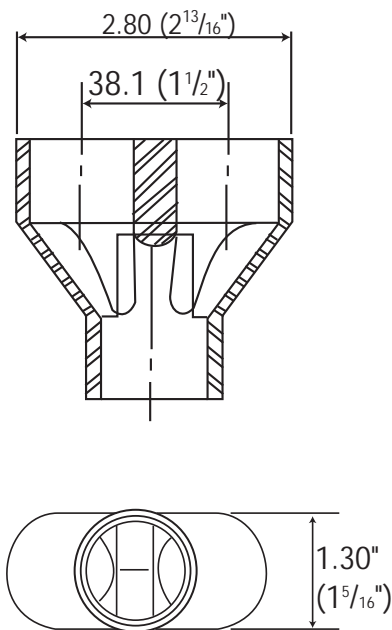


3. Pull electrical wires through the riser tube (#UDRT) and snap the tube into the base divider (#UDBD).
4. Install the upper divider (#UDUD) by sliding the wires through the center opening then snap the upper divider (#UDUD) on the top of the riser tube (#UDRT).
5. Pull data and communication cables into position on the outside of the divider.
6. The leveling ring and floor cover plate can now be installed.

Note: Each corner of the upper divider (#UDUD) has a breakaway tab to allow compatibility with certain leveling rings and floor cover adapters.



Kraloy® FBYC Y-Connector



Product Description

Kraloy® FBYC Y-Connector

Product Code: 078928

Application:

For wiring flexibility, the 1" PVC conduit hub adapter allows parallel feeds of 3/4" conduit or feeds in/out of the same hub.

Physical Properties:

Kraloy FBYC Y-Connector is a molded PVC adapter designed for direct solvent cement connection into a 1" PVC conduit hub and provides a parallel entry for two 3/4" PVC Rigid Conduits and/or ENT.

Specification:

To bring cabling in and out of the same conduit hub or to provide for parallel runs of conduit, a molded PVC Y-Connector shall be used. The Y-Connector shall be designed to be solvent cemented into a 1" PVC conduit hub and provide for the connection of two parallel 3/4" conduits.

Acceptable Manufacturers: Kraloy



Installation:

The Y-Connector is intended to connect to 1" trade size hubs. Use IPEX PVC solvent cement to bond the Y-Connector into the 1" hub of the FB Floor Box. Both 3/4" trade size Rigid PVC Conduit and ENT can be solvent cemented into the 3/4" hubs of the Y-Connector.

Kraloy® FB DRC Duplex Receptacle Cover

Product Description

Kraloy®'s FB DRC Duplex Receptacle Cover is a nonmetallic cover plate package.

Product Code: Brown 078877, Gold 078878, Grey 078618 & Light Almond 078841

Application:

The Kraloy FB DRC Duplex Receptacle Cover plate completes the flush-mount floor receptacle installation by providing the means for a duplex receptacle device to install in the round floor box.

Physical Properties:

The Kraloy FB DRC Duplex Receptacle Cover is available in a choice of colors to match the environmental esthetics. Each FB DRC package includes the nonmetallic cover body, PVC leveling ring adapter, duplex receptacle faceplate with mounting screws and blank cover with gasket and captive holding screw.

Specification:

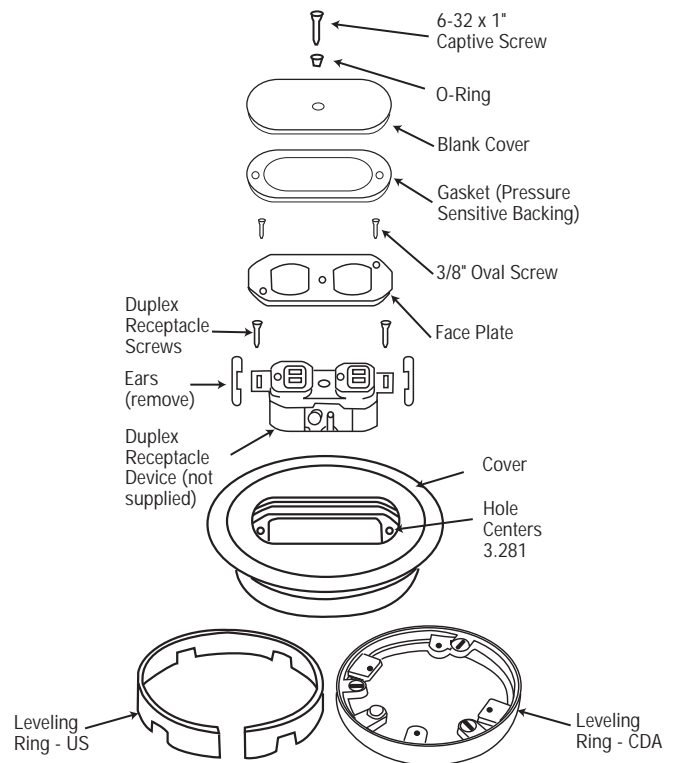
The flush-mount floor receptacle cover plate shall be nonmetallic and provide for the installation of a standard duplex receptacle. The cover plate color shall be (*indicate color choice*) and the cover plate shall be supplied with a blank cover and gasket to shield the receptacle when not in use.

Approved Products: Kraloy FB DRC



Installation Procedure:

1. Remove ears from any standard duplex device and attach conductors.
2. Install Duplex Receptacle Device (not furnished) to Cover (DRCB) with furnished 6-32 screws. (Holes on 3.281" centers.)
3. Position the Face Plate over the Duplex Receptacle.
4. Secure using the two 3/8" oval-slotted screws.
5. Place the rubber O-ring on 6 - 32x1" Captive Screw.
6. Remove the backing from the gasket and apply to the underside of the blank cover.
7. Thread screw into center hole of Blank Cover.
8. Position the Blank Cover to align the screw with the 6-32 hole of the Duplex Device and tighten screw until the Blank Cover textured surface is flush with the cover.



- 9 To complete installation of the floor box, apply PVC cement to the leveling ring and the top inside edge of the floor box.
10. Press the cover assembly to the floor box for a perfect fit to the finished floor.

Kraloy® Brass and Nickel Plated Cover Plates

Product Description

Brass Cover Plates: DFL-2, SSC, DSC, DSC-P/C

Product Code: 178096, 178093, 178091, 178092

Nickel Cover Plates: DFL-S-N, SSC-N, DSC-N

Product Code: 178279, 178278, 178280

Application:

Round Cover Plates help to protect enclosed power data and communications wiring from daily environmental floor conditions such as mopping (UL scrub water tested) and foot traffic (UL cover loading). The covers feature a light lacquer finish in brass and nickel plated brass for extra strength and durability in high traffic areas.

Physical Properties:

The Kraloy Brass & Nickel Plated Cover Plates are available in a choice of cover styles. Each cover plate package includes the metallic cover body and its necessary components (gaskets and screw plugs) to complete a cover plate installation. Receptacles, data cabling devices and the floor box adapter ring are not included.

Specification:

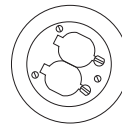
The flush-mount floor receptacle cover plate shall be metallic brass or nickel plated brass and as specified shall provide for the installation of a single or duplex receptacle and when required data/communication cabling devices.

Approved Products:

Kraloy DSC, DSC-N, DSC-P/C, SSC, SSC-N, DFL-2 & DFL-2-N

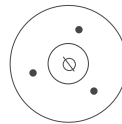
Installation Procedure:

Brass cover plates are secured to the FB round floor box using the leveling ring adapter. The Kraloy LRA-U leveling ring is supplied with three self-tapping brass screws used to secure the brass cover plate to the leveling ring. To complete installation into the FB Floor Box, apply PVC cement to the leveling ring and the top inside edge of the floor box. Press the cover and LRA-U assembly into the floor box for a perfect fit to the finished floor. (Note: the final floor surface should be completed prior to cementing the assembly in place.)



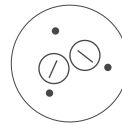
DFL-2 / DFL-2-N

Duplex Receptacle Cover with dual flip Lid



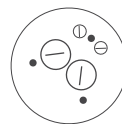
SSC / SSC-N

Duplex Receptacle Cover with individual with screw plug openings



DSC / DSC-N

Combination 2" x 1/2" single screw plug opening



DSC-P/C

Combination 2" x 1/2" single screw plug opening and 1/2" datacomm opening

CUSTOMER SERVICE CENTER

1055 Wilton Grove Road Tel: (519) 681-2140
London, Ontario N6A 4K3 Toll Free: (800) 265-1815
Fax: (519) 681-2156

www.kraloyfittings.com

Kraloy has been an industry leader for over 40 years supplying the electrical trade with a comprehensive offering of nonmetallic PVC fittings. Kraloy offers adapters, couplings, elbows, access fittings, boxes, cover plates, expansion fittings and spacers – virtually any fitting required to complete the PVC conduit system.

Check out the full Kraloy product offering on our web site www.kraloyfittings.com or contact us directly for information.

Only when you specify Kraloy by name are you guaranteed The Fitting Choice.

Kraloy is proud to offer these quality brands.



Products are manufactured by IPEX Electrical Inc. and distributed in the United States by Kraloy, a division of Multi Fittings Corp.

Kraloy® is a trademark of Multi Fittings Corp.

Inexo®, Kwikflex®, Kwikon®, SceptaCon™, Sceptalight™ and JBox™ are trademarks of IPEX Branding Inc.

www.kraloyfittings.com

This literature is published in good faith and is believed to be reliable. However, Kraloy does not represent and/or warrant in any manner the information and suggestions contained in this brochure. Data presented is the result of laboratory tests and field experience. Kraloy maintains a policy of ongoing product improvement. This may result in modifications of features and/or specifications without notice.



DISTRIBUTED BY: