

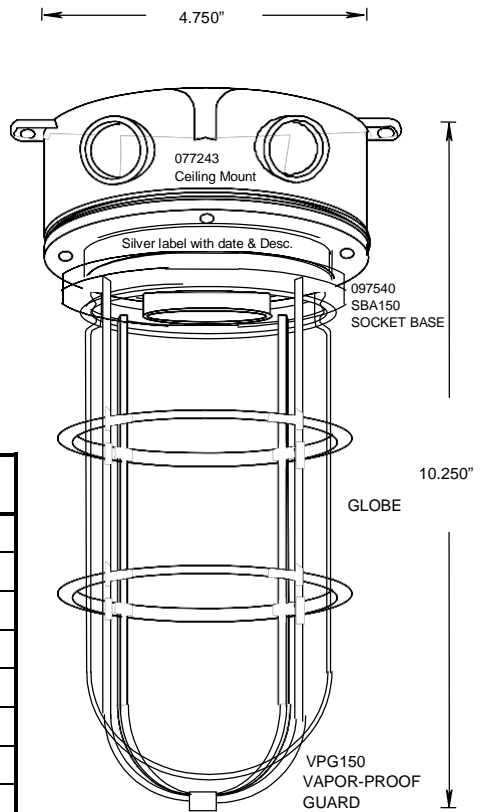
NON-METALLIC LIGHT FIXTURES

VPF150 CEILING MOUNTS

ISSUE DATE:
DATE D'EMISSION: 2006 05 30

SUPERCEDES:
REPLACE: 2005 01 30

4



COMMON PART LIST:

DESCRIPTION	PART NUMBER	QUANTITY
8-32 X 1/2 PAN COMB SCREWS	072522	4
150 BOX RED GASKET	072820	2
SBA150 SOCKET BASE	097540	1
RED SMALL GASDKET	072821	1
SPIICE BOX SOCKET BASE INSULATOR	072854	1
3/4" X 1/2" REDUCER BUSHINGS 1805	097554	4
VPB150 CEILING MOUNT	077243	1
ELECTRIC SOCKET KULKA	072817	1
REFLECTOR INULSTOR	072855	1
6" LEADS - 12AWG TYCL1251 WIRE BLACK	072856	1
6" LEADS - 12AWG TYCL1251 WIRE WHITE	072857	1
VPG150 VAPOR-PROOF GUARD	077978	1

SPECIFIC PART LIST:

PRODUCT CODE	PART NUMBER	GLOBE CODE
077119	LVPF150 Ceiling Mount Less Globe	-
077225	LVPF150 Ceiling Mount Clear	072824
077275	LVPF100C-MAR Marine Ceiling Mount Clear	072824
077399	VPF150PCC Ceiling Mount PC Clear	072833
077414	LVPF150HRC-HAZ Ceiling Mount HR Clear	072826
077415	LVPF150 HRR-HAZ Ceiling Mount HR Red	072827
077416	LVPF150 HRB-HAZ Ceiling Mount HR Blue	072823
077417	LVPF150 HRG-HAZ Ceiling Mount HR Green	072825
077494	LVPF150 HRA-HAZ Ceiling Mount HR Amber	072822
077237	LVPF150 Ceiling Mount Clear Less Guard	072824
077259	LVPF150PCR Ceiling Mount PC Red	072831