

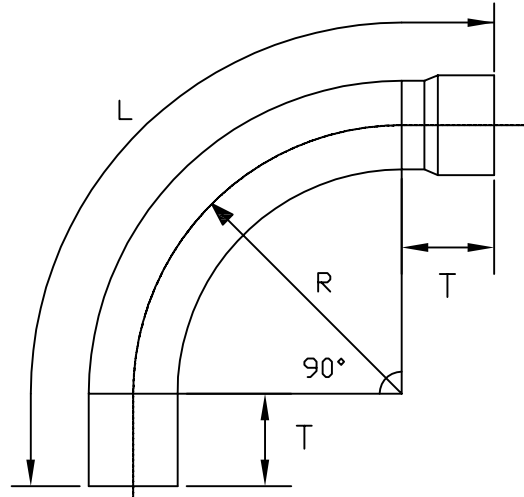
RIGID PVC CONDUIT
CONDUIT RIGIDE EN PVC

90° SCH40 BEND BE / 90° SCH40 COUDE MXH

ISSUE DATE: 2017 03 20
DATE D'EMISSION:

SUPERSEDES: 2017 01 31
REPLACE:

LONG RADIUS/ LONG RAYON



	CODE	Size Grosueur	L Ref.	R Ref.	T Ref.
KRALOY	~ 078108	25mm (1")	1264mm (49.75)	610mm (24.0")	150mm (6")
	~ 068078	50mm (2")	2223mm (87.50")	1219mm (48.0")	150mm (6")
	~ 068054	50mm (2")	1549mm (61")	914mm (36.0")	150mm (6")
	~ 068030	50mm (2")	1143mm (45.00")	610mm (24.0")	150mm (6")
	~ 068034	63mm (2.5")	1207mm (47.50")	610mm (24.0")	150mm (6")
	~ 068056	63mm (2.5")	1689mm (66.50")	914mm (36.0")	150mm (6")
	~ 068086	63mm (2.5")	2223mm (87.50")	1219mm (48.0")	150mm (6")
	~ 068036	75mm (3")	1165mm (45.87")	610mm (24.0")	104mm (4.1")
	~ 068058	75mm (3")	1651mm (65")	914mm (36.0")	107mm (4.2")
	~ 068091	75mm (3")	2222mm (87.5")	1219mm (48")	150mm (6")
~ 068070	90mm (3.5")	1740mm (68.5")	914mm (36")	150mm (6")	
KRALOY	* 069275 ~ 078264	100mm (4")	1264mm (49.75")	610mm (24.0")	150mm (6")
	~ 068072	100mm (4")	1683mm (66.25")	914mm (36.0")	124mm (4.9")
	~ 068095	100mm (4")	2134mm (84")	1219mm (48.0")	109mm (4.3")
	~ 068074	125mm (5")	1765mm (69.5")	914mm (36.0")	150mm (6")
	~ 068099	150mm (6")	2286mm (90.0")	1219mm (48.0")	150mm (6")
	* 068097	125mm (5")	2311mm (91.0")	1219mm (48.0")	150mm (6")

~ NSF APPROVED / APPROUVES

* CSA CERTIFIED / CERTIFIE

L- Length at center line / Longueur à la ligne centrale