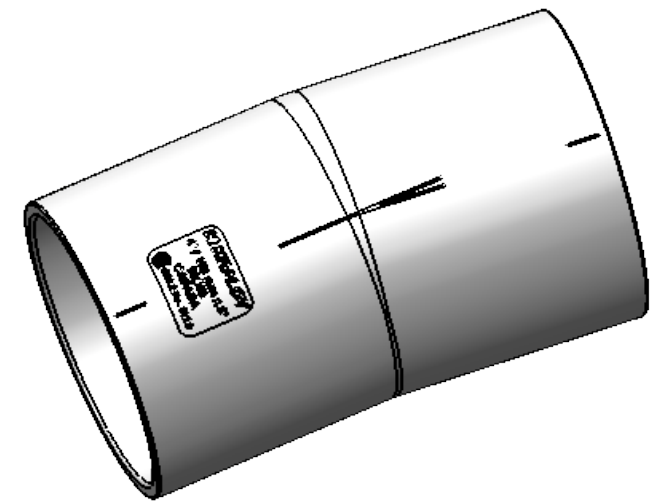



SECTION A-A



Part Number	Size	A	B	C	D	Lay lengths	
						E	F
078053	4"	5.4	5.0	8.7	5°	4.2	4.2
078055	5"	6.5	6.1	10.0	5°	4.9	4.9

UNLESS OTHERWISE SPECIFIED:		DATE		 IPEX Committed to Excellence	11 Bermondsey Rd. Toronto, Ontario M4B 1Z3, Canada Tel (416) 751-3820 Fax (416) 751-7112 www.ipexinc.com		
DIMENSIONS ARE IN INCHES TOLERANCES:		DRAWN A.Murali			15/01/2018		
.XXX 0.005 .XX 0.010 .X 0.015 FRACTIONAL 1/32 ANGULAR: 1/2		CHECKED		TITLE: 5DEG CPLG KRALOY			
MATERIAL PVC		ENG APPR.		SIZE	MOLD	PART NO.	REV
SHRINKAGE 0.5%		PROPRIETARY AND CONFIDENTIAL THE INFORMATION CONTAINED IN THIS DRAWING IS THE SOLE PROPERTY OF IPEX. ANY REPRODUCTION IN PART OR AS A WHOLE WITHOUT THE WRITTEN PERMISSION OF IPEX IS PROHIBITED.		B			
WEIGHT 734 g				SCALE	NTS	PROJECT	SHEET 1 OF 1