

CSA, ULI

RIGID PVC CONDUIT FITTINGS

WALL CLAMPS

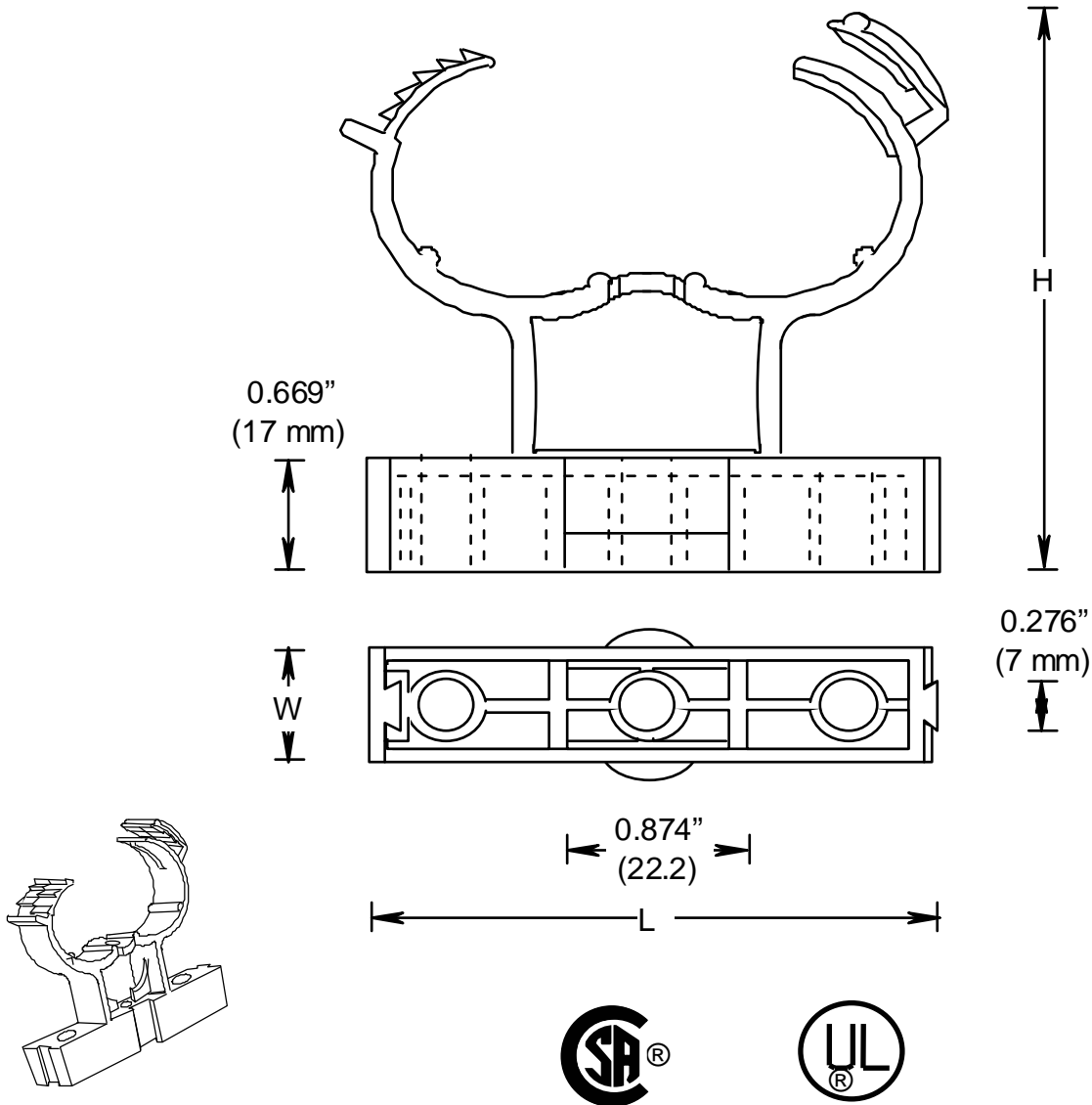
ISSUE DATE:

DATE D'EMISSION: 2005 04 30

SUPERCEDES:

REPLACE:

0



PRODUCT CODE	PART NUMBER	NOMINAL SIZE		H		L		W	
		(in)	(mm)	(in)	(mm)	(in)	(mm)	(in)	(mm)
278106	CCS10	1/2	16	2.650	67.3	2.431	61.74	0.630	16
278095	CCS15	3/4	21	2.924	74.26	2.843	72.21	0.669	17
278096	CCS20	1	27	3.251	82.58	3.189	81.01	0.709	18
278097	CCS25	1 1/4	35	3.639	92.42	3.564	90.53	0.748	19
278098	CCS30	1 1/2	41	3.954	100.43	3.907	99.25	0.787	20
278099	CCS35	2	53	4.640	117.86	4.589	116.55	0.866	22

**WALL CLAMP SPACER, 278107**

