

CSA, ULI

RIGID PVC CONDUIT FITTINGS

DOUBLE GANG US COVER PLATES

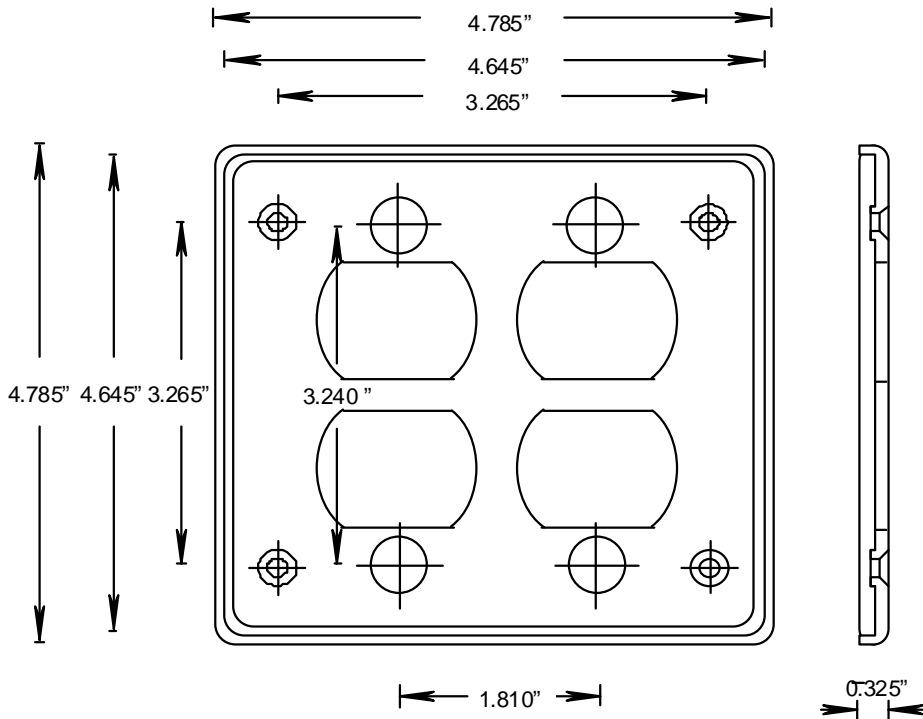
ISSUE DATE:

DATE D'EMISSION: 2007 01 30

SUPERCEDES:

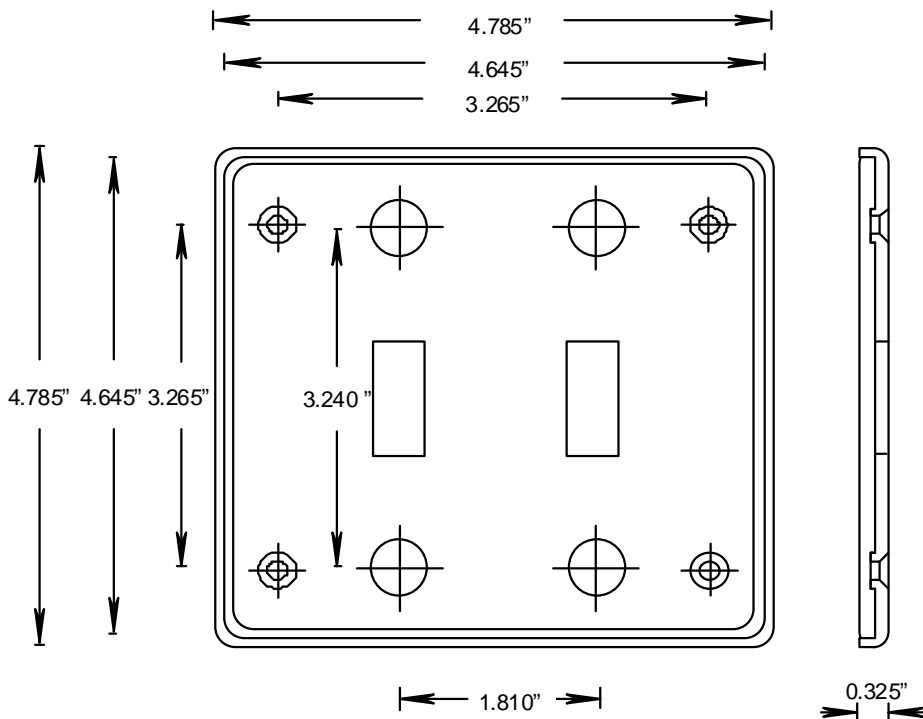
REPLACE: 2006 06 30

3



**DOUBLE RECEPTACLE,  
TYPE DRC20-2 U,  
278086**

C/W FOUR 6-32X3/4 PAN COMB "F"  
SCREWS, 172556



**DOUBLE SWITCH,  
TYPE TSC20-2 U,  
278088**

C/W FOUR 6-32X3/4 PAN COMB  
"F" SCREWS, 172556

CSA, ULI

RIGID PVC CONDUIT FITTINGS

DOUBLE GANG US COVER PLATES

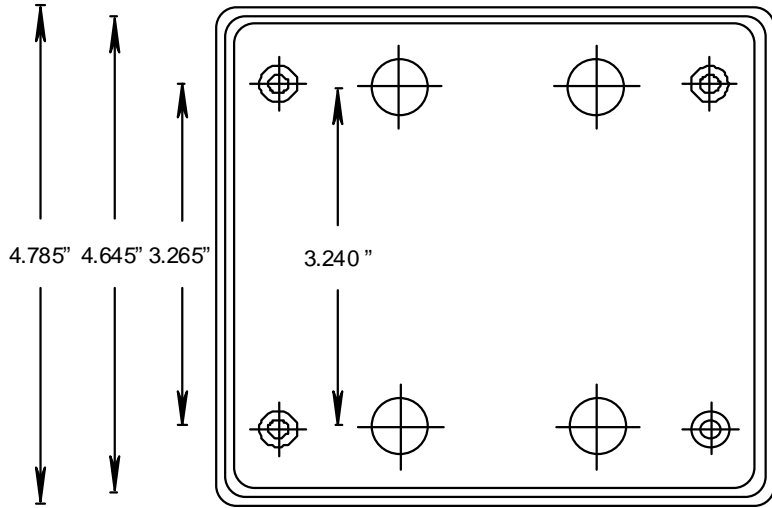
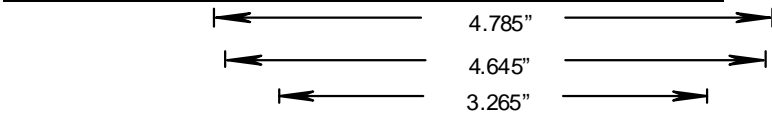
ISSUE DATE:

DATE D'EMISSION: 2007 01 30

SUPERCEDES:

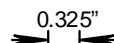
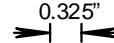
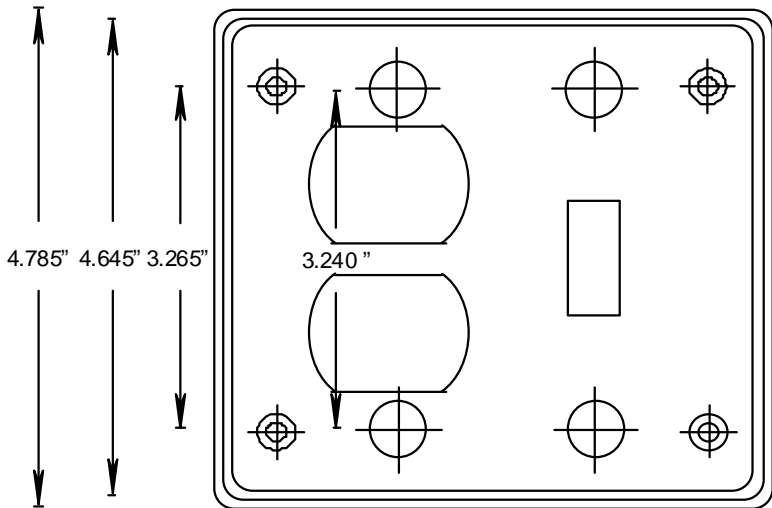
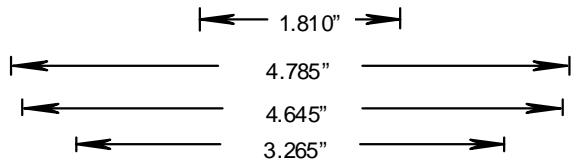
REPLACE: 2006 06 30

3



**BLAK, TYPE BRC20-2 U,  
278085**

C/W FOUR 6-32X3/4 PAN  
COMB "F" SCREWS, 172556  
GASKFU20-2 GASKET, 172556



**COMBO SWITCH RECEPTACLE,  
TYPE TSDC20-2 U,  
278089**

C/W FOUR 6-32X3/4 PAN COMB "F"  
SCREWS, 172556