

CSA, ULI

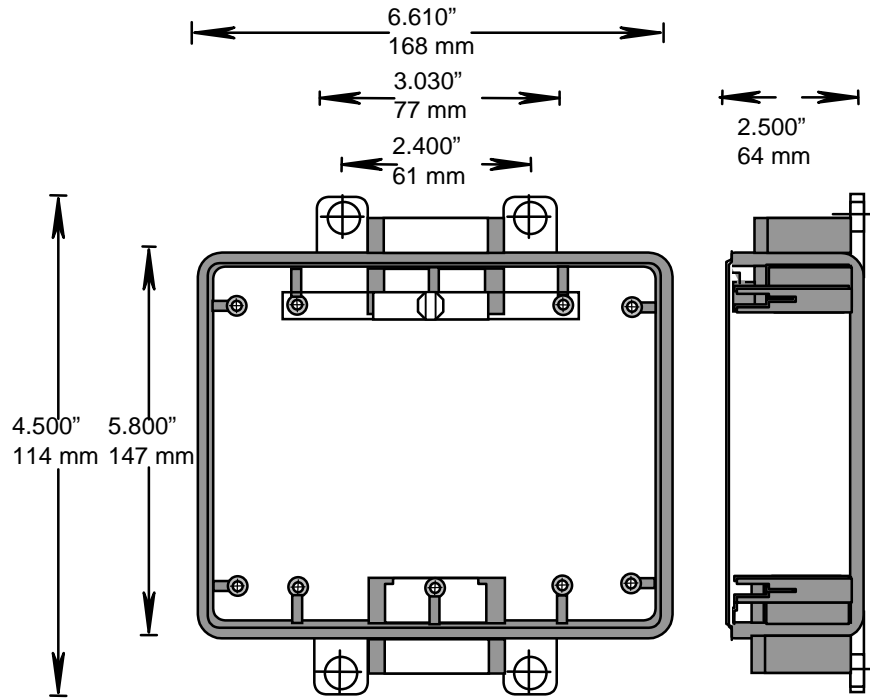
RIGID PVC CONDUIT FITTINGS

FSC-3-050710 TRIPLE GANG BOXES, 278068

ISSUE DATE:
DATE D'EMISSION: 2004 10 30

SUPERCEDES:
REPLACE: 2003 01 15

2



Wall thickness for all boxes=0.188 in. (or 4.8mm)

COMPONENTS

DESCRIPTION	PART NUMBER	SIZE	QUANTITY
REGULAR INSERT	072537	6-32	7
COLLAR INSERT	072536	6-32	3
SCREW, HEXHEAD COMB	072511	10-32 X 5/16	1
REDUCER BUSHINGS	097554	3/4 X 1/2	2
REDUCER BUSHINGS	097979	1X 3/4	2
TRIPLE GANG GROUND CLIP	172258	3	1

Filename: KRALOY-70.doc
Directory: \\Bersrvbdc\bergen\QC MANUAL
Template: C:\Documents and Settings\joelau\Application
Data\Microsoft\Templates\Normal.dot
Title: SOCKET DIMENSION
Subject:
Author: joe lau
Keywords:
Comments:
Creation Date: 8/22/2002 12:42 PM
Change Number: 4
Last Saved On: 10/21/2004 4:16 PM
Last Saved By: Joe Lau
Total Editing Time: 7 Minutes
Last Printed On: 8/8/2005 12:26 PM
As of Last Complete Printing
Number of Pages: 1
Number of Words: 51 (approx.)
Number of Characters: 295 (approx.)