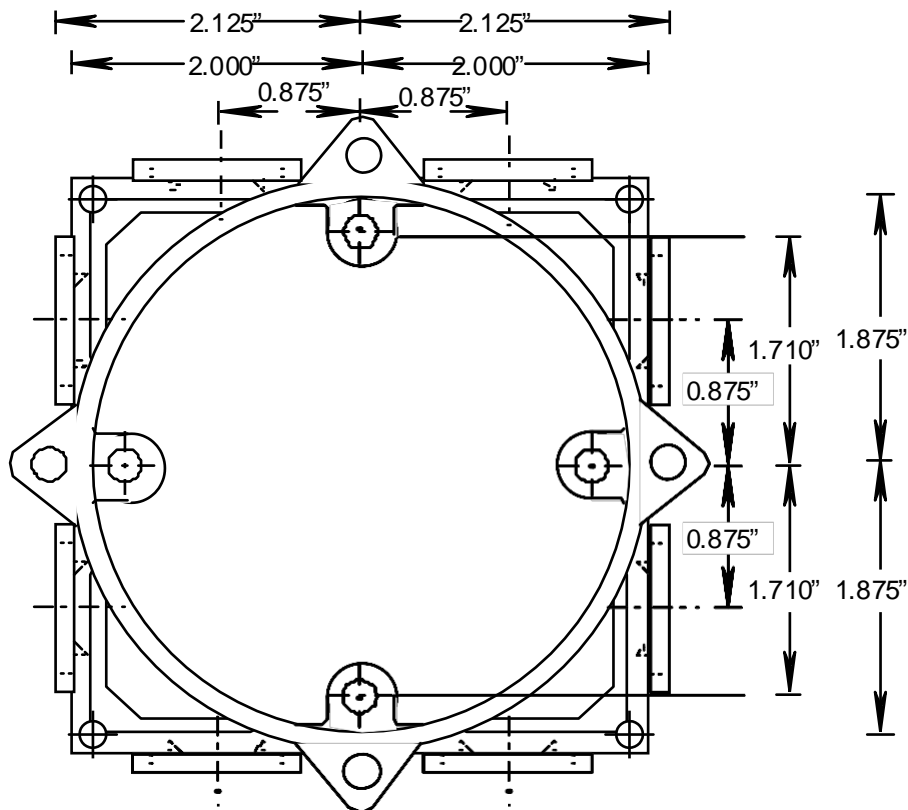


RIGID PVC CONDUIT FITTINGS

MUD BOX, SMBS-10

**ISSUE DATE:**  
**DATE D'EMISSION:** 2005 09 30

**SUPERCEDES:**  
**REPLACE:** 2005 03 15



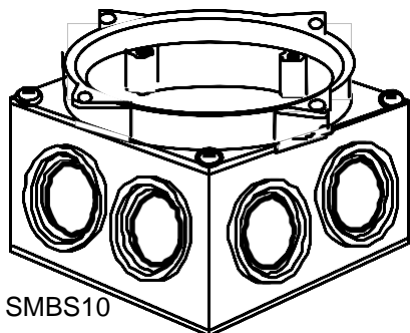
RIGID PVC CONDUIT FITTINGS

MUD BOX, SMBS-10

**ISSUE DATE:**  
**DATE D'EMISSION:** 2005 09 30

**SUPERCEDES:**  
**REPLACE:** 2005 03 15

2



SMBS10  
089490

**PART LIST:**

DESCRIPTION	PART NUMBER	SMBS-10 US, 089490
8-32 SLAB BR INS C/W LIP	072061	2
10-32 SLAB BR INS C/W LIP	072062	2
6-X5/8 PAN SOC SCREW	072250	4
8X3/4 (5/8) PAN COMB FOR MUD BOX	072559	4
COVER AND TOP	097067	1
8-32X1/2" P COMB 23 GREEN IRR SCREW	072257	-
SMB10 BODY	097065	1
FLOOR BOX GROUND CLIP	072561	-