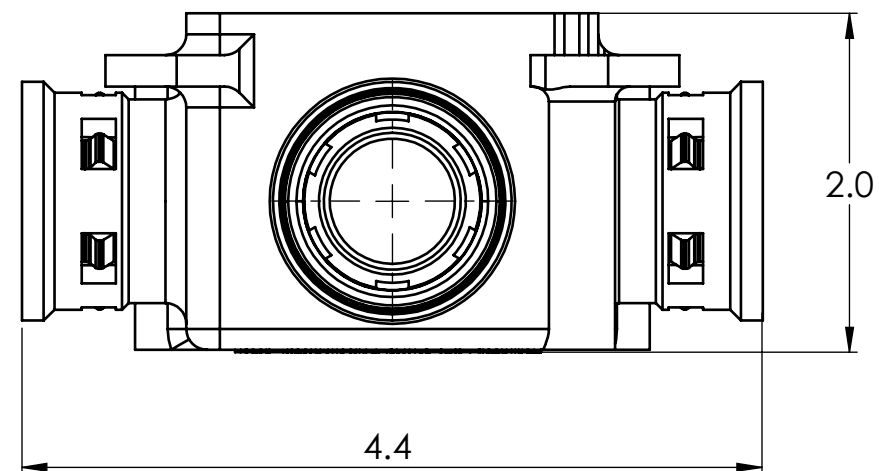
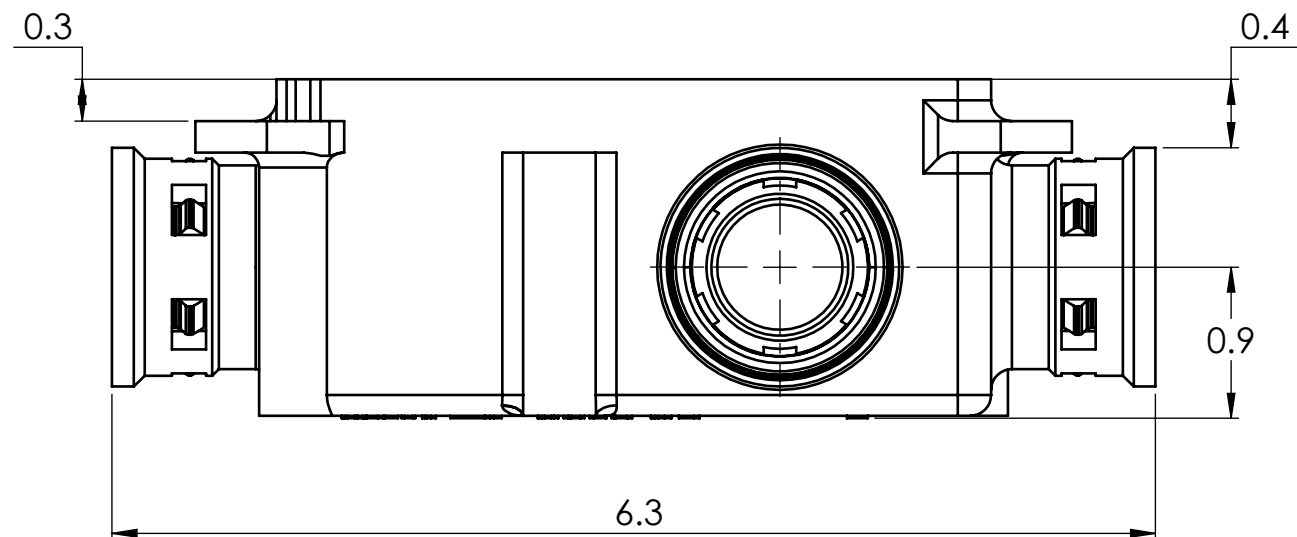
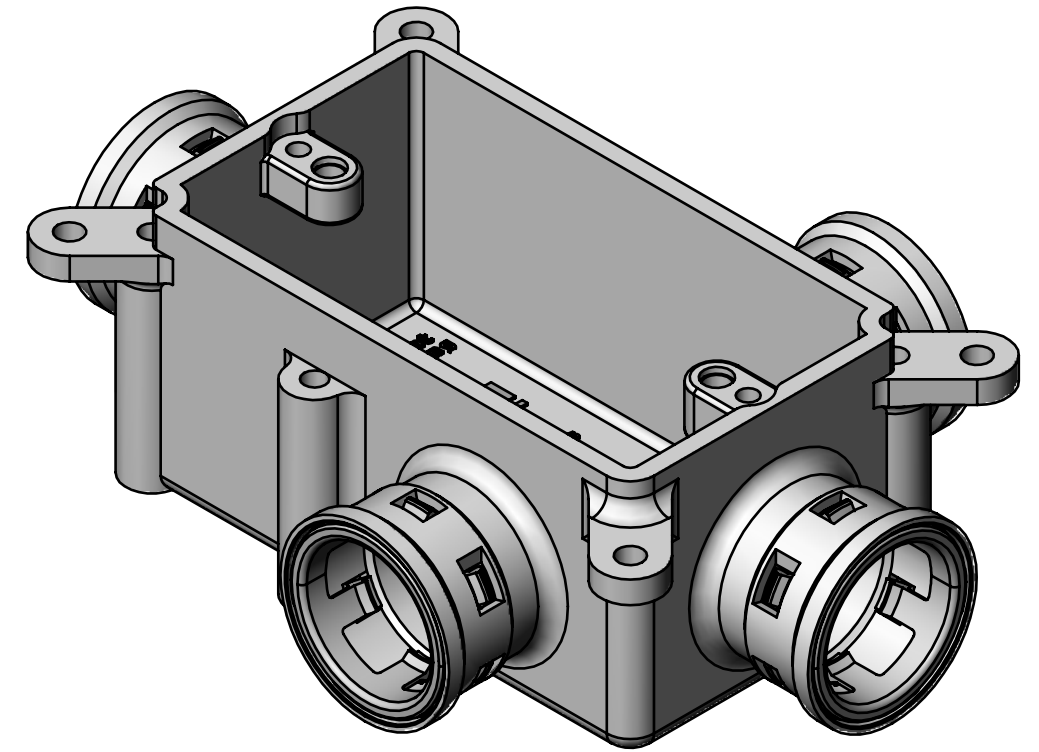


4 x 3/4" Retainer Hub



PLASTIC/RUBBER SIZES

SIZES SHOWN ARE FOR REFERENCE 3D MODEL IS TO BE USED FOR MANUFACTURING / VERIFICATION		ALL CHANGES MUST BE APPROVED AND RECORDED BY ENGINEERING	
UNIT: INCHES UNLESS DUAL DIMENSION: INCH [METRIC]	PROJECTION 	<b>Kraloy, a Division of Multi Fittings Corp.</b> under license	
THIS DRAWING AND ALL TECHNICAL INFORMATION APPEARING HEREON ARE PROPERTY OF MULTI FITTINGS CORP. AND MUST BE KEPT IN CONFIDENCE BY THE RECIPIENT. THE SAME MAY NOT BE USED OR REPRODUCED EITHER IN WHOLE OR IN PART WITHOUT THE EXPRESS CONSENT OF MULTI FITTINGS CORP.		TITLE SVSBH-15 PVC SLAB BOX GREY KWIKON	
PAPER SIZE ANSI B	NAME	DATE	SCALE: NA
PART APPEARANCE:	COLOR:	DRAWN	11/09/2020
SURFACE FINISHES: (UNLESS OTHERWISE NOTED)		APP'D	MAT'L:
INSIDE:	DIMENSIONS ARE IN INCHES TOLERANCES (UNLESS OTHERWISE SPECIFIED)	PRODUCT CODE: 089053	
OUTSIDE:	FRACTIONAL ± 1/32	REFERENCE DIMENSIONS ARE SHOWN WITH REF. NOTE	
OTHER:	XX ± 0.015	PROJECT No.	
	XXX ± 0.010		
	XXXX ± 0.005		
	ANGULAR ± 1.0		
FILENAME:	FOLDER:		