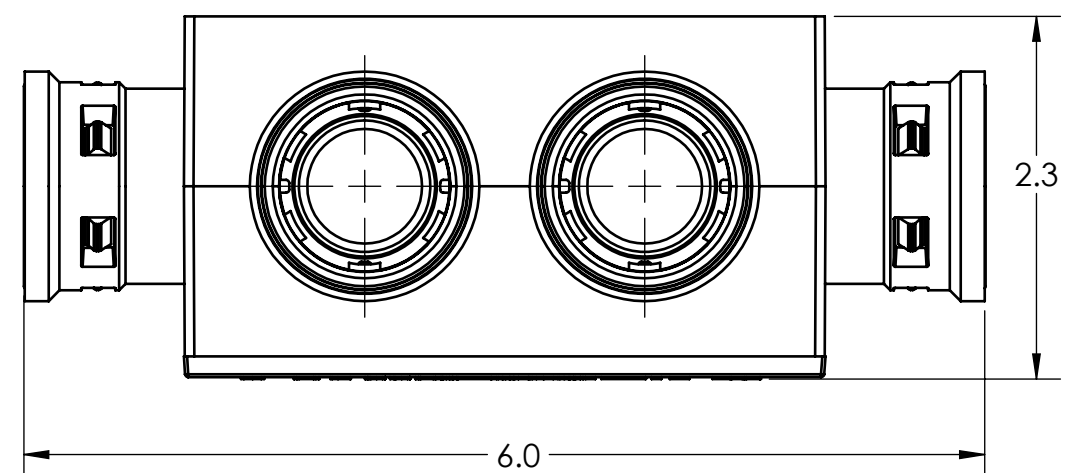
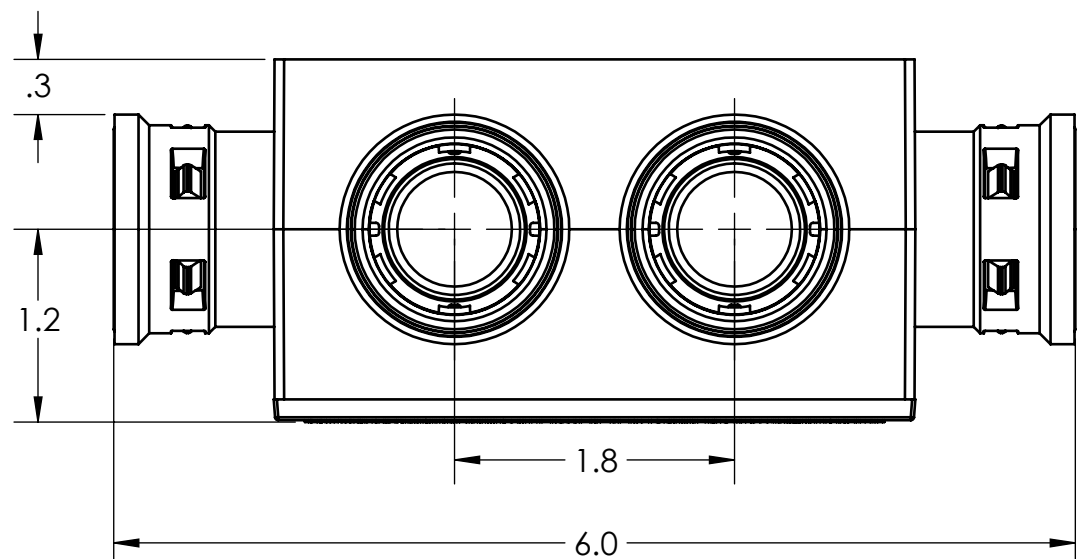
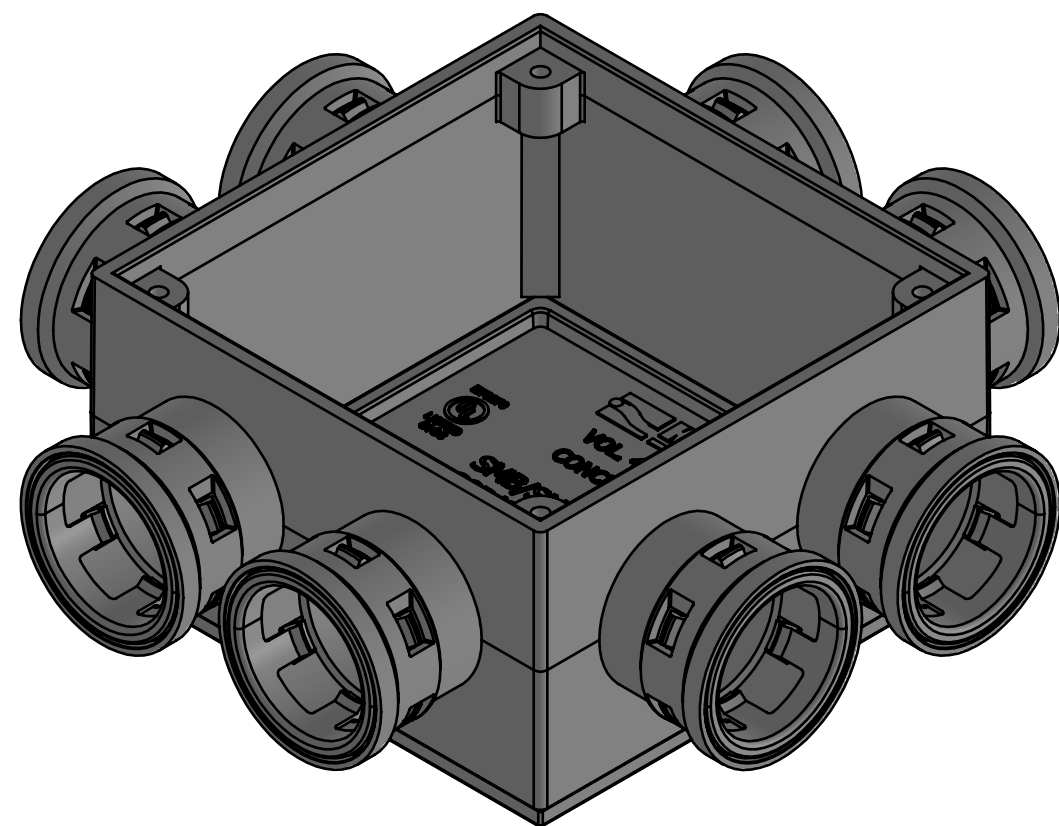


8 x 3/4" Retainer Hub



PLASTIC/RUBBER SIZES

SIZES SHOWN ARE FOR REFERENCE 3D MODEL IS TO BE USED FOR MANUFACTURING / VERIFICATION		ALL CHANGES MUST BE APPROVED AND RECORDED BY ENGINEERING	
UNIT: INCHES UNLESS DUAL DIMENSION: INCH [METRIC]	PROJECTION 	Kraloy, a Division of Multi Fittings Corp. under license	
THIS DRAWING AND ALL TECHNICAL INFORMATION APPEARING HEREON ARE PROPERTY OF MULTI FITTINGS CORP. AND MUST BE KEPT IN CONFIDENCE BY THE RECIPIENT. THE SAME MAY NOT BE USED OR REPRODUCED EITHER IN WHOLE OR IN PART WITHOUT THE EXPRESS CONSENT OF MULTI FITTINGS CORP.		TITLE MBH-15 PVC SLAB BOX KWIKON	
PAPER SIZE ANSI B	NAME	DATE	SCALE: NA
PART APPEARANCE:	COLOR:	DRAWN	2020-09-10
SURFACE FINISHES: (UNLESS OTHERWISE NOTED)		APP'D	MAT'L:
INSIDE:	OUTSIDE:	OTHER:	PRODUCT CODE: 089018
DIMENSIONS ARE IN INCHES TOLERANCES (UNLESS OTHERWISE SPECIFIED) FRACTIONAL X.X ± 0.015 X.XX ± 0.010 X.XXX ± 0.005 ANGULAR ± 1.0		REFERENCE DIMENSIONS ARE SHOWN AS **REF** REFERENCE DIMENSIONS ARE SHOWN WITH REF. NOTE	PROJECT No.
FILENAME:	FOLDER:		