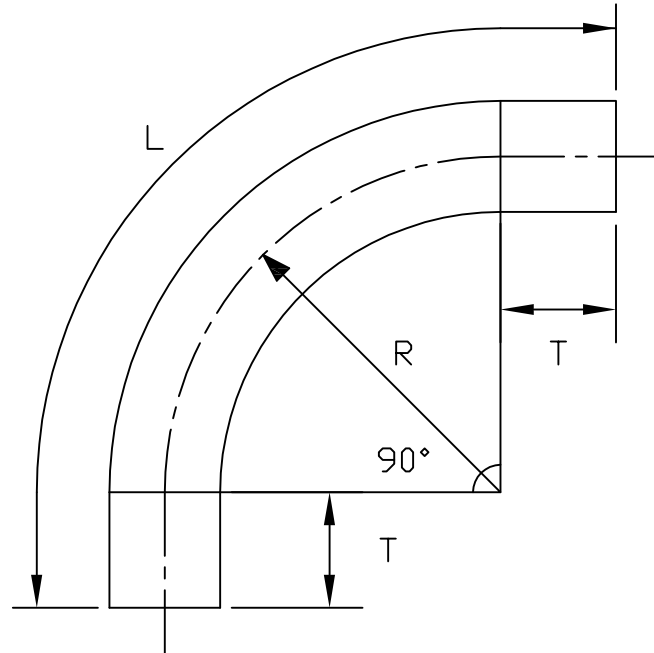


RIGID PVC CONDUIT
CONDUIT RIGIDE EN PVC

90° SCH80 BEND PE / 90° SCH80 COUDE BU

ISSUE DATE: 2009 08 18
DATE D'EMISSION:

SUPERSEDES: 2002 12 06
REPLACE:



	CODE	Size Grosueur	L Ref.	R Ref.	T Ref.
KRALOY	# 068690 # 078620	16mm (0.5")	241mm (9.50")	102mm (4.0")	41mm (1.60")
KRALOY	# 068691 # 078621	21mm (0.75")	309mm (12.167")	114mm (4.50")	64mm (2.50")
KRALOY	# 068692 # 078622	27mm (1")	356mm (14.0")	146mm (5.75")	64mm (2.50")
KRALOY	# 068693 # 078623	35mm (1.25")	419mm (16.50")	184mm (7.25")	64mm (2.50")
KRALOY	# 068694 # 078624	41mm (1.50")	432mm (17.0")	210mm (8.25")	51mm (2.0")
KRALOY	# 068695 # 078625	53mm (2")	530mm (20.875")	241mm (9.50")	76mm (3.0")
KRALOY	# 068696 # 078626	63mm (2.50")	705mm (27.750")	267mm (10.50")	140mm (5.50")
KRALOY	# 068697 # 078627	78mm (3")	895mm (35.250")	330mm (13.0")	191mm (7.50")
KRALOY	# 068698 # 078628	103mm (4")	940mm (37.0")	406mm (16.0")	152mm (6.0")
KRALOY	# 068699 # 078629	129mm (5")	1524mm (60.0")	610mm (24.0")	279mm (11.0")
KRALOY	# 068700 # 078630	155mm (6")	1676mm (66.0")	762mm (30.0")	240mm (9.435")

#- UL APPROVED / APPROUVES

L-LENGTH OF PIPE BEFORE BENDING / LONGUEUR DU TUYAU AVANT D'ETRE COURBE