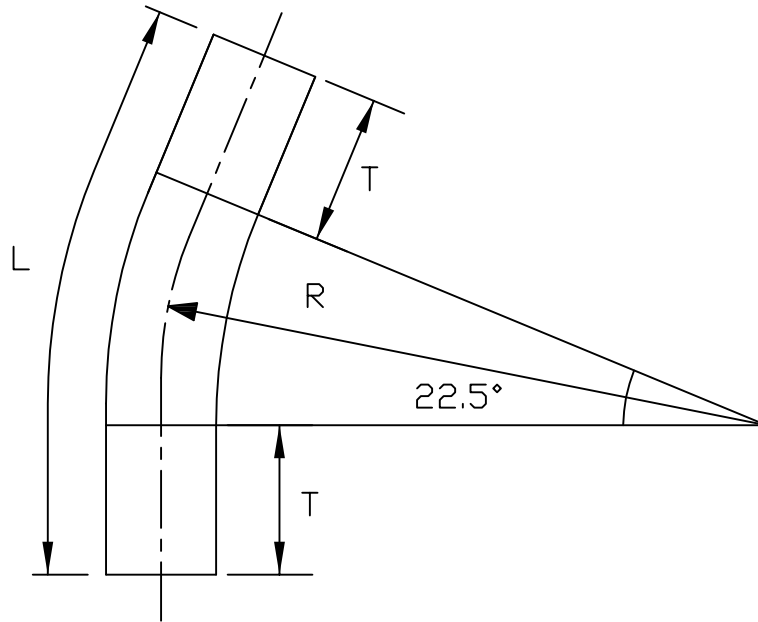


RIGID PVC CONDUIT  
 CONDUIT RIGIDE EN PVC

22.5° SCH40 BEND PE / 22.5° SCH40 COUDE BU

ISSUE DATE: 2009 12 04  
 DATE D'EMISSION:

SUPERSEDES: N/A  
 REMPLACE:



CODE	Size Grosueur	L Ref.	R Ref.	T Ref.
078585	100mm (4")	368mm (14.50")	406mm (16.0")	102mm (4.0")