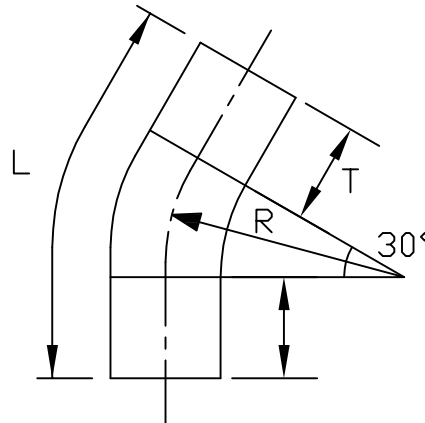


RIGID PVC CONDUIT
CONDUIT RIGIDE EN PVC

30° SCH40 BEND PE / 30° SCH40 COUDE BU

ISSUE DATE: 2009 02 27
DATE D'EMISSION:

SUPERSEDES: 2002 12 06
REPLACE:



	CODE	Size Grosueur	L Ref.	R Ref.	T Ref.
KRALOY	# 068620 * 069241 # 078564	16mm (0.5")	133mm (5.25")	102mm (4.0")	38mm (1.50")
KRALOY	# 068621 * 069242 # 078565	21mm (0.75")	137mm (5.375")	114mm (4.50")	38mm (1.50")
KRALOY	# 068622 * 069243 # 078566	27mm (1.0")	175mm (6.875")	146mm (5.75")	51mm (2.0")
KRALOY	# 068623 * 069244 # 078567	35mm (1.25")	211mm (8.313")	184mm (7.25")	57mm (2.25")
KRALOY	# 068624 * 069245 # 078568	41mm (1.5")	213mm (8.375")	210mm (8.25")	51mm (2.0")
KRALOY	# 068625 * 069246 # 078569	50mm (2.0")	232mm (9.125")	241mm (9.5")	51mm (2.0")

#- UL APPROVED / APPROUVES
*- CSA CERTIFIED / CERTIFIE

L-LENGTH OF PIPE BEFORE BENDING / LONGUEUR DU TUYAU AVANT D'ETRE COURBE