

CSA, ULI

RIGID PVC CONDUIT FITTINGS - KRALOY

OFFSET TERMINAL ADAPTERS

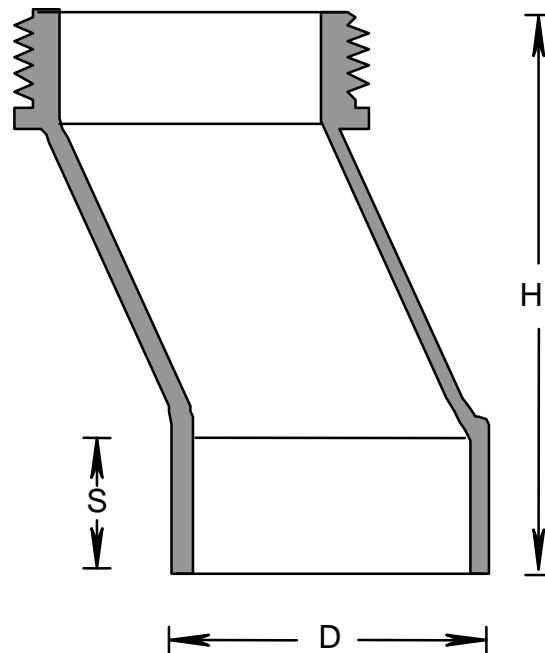
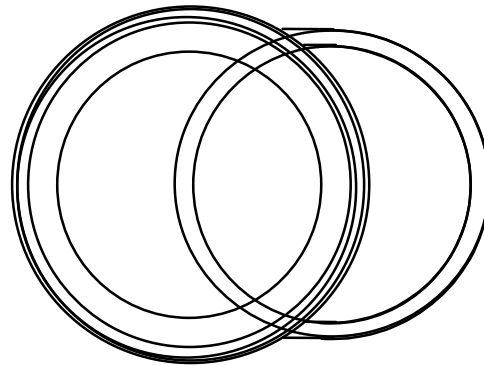
ISSUE DATE:

DATE D'EMISSION: 2007 08 30

SUPERCEDES:

REPLACE: 2004 04 30

3



PRODUCT CODE	PART NUMBER	NOMINAL SIZE		D		H		S	
		(in)	(mm)	(in)	(mm)	(in)	(mm)	(in)	(mm)
078351	MO12	1 1/4	35	1.990	50.5	4.240	108.0	1.060	26.9
078352	MO20	2	53	2.720	69.1	4.360	69.1	1.180	30.0
178121*	MO20	2	53	2.720	69.1	4.360	69.1	1.180	30.0
178139*	MO12	1 1/4	35	1.990	50.5	4.240	108.0	1.060	26.9

* Bulk Packed for Pacific Circle