

CSA, NRTL/C

RIGID PVC CONDUIT FITTINGS - KRALOY

DOUBLE GANG DOUBLE DOOR COVERS

ISSUE DATE:

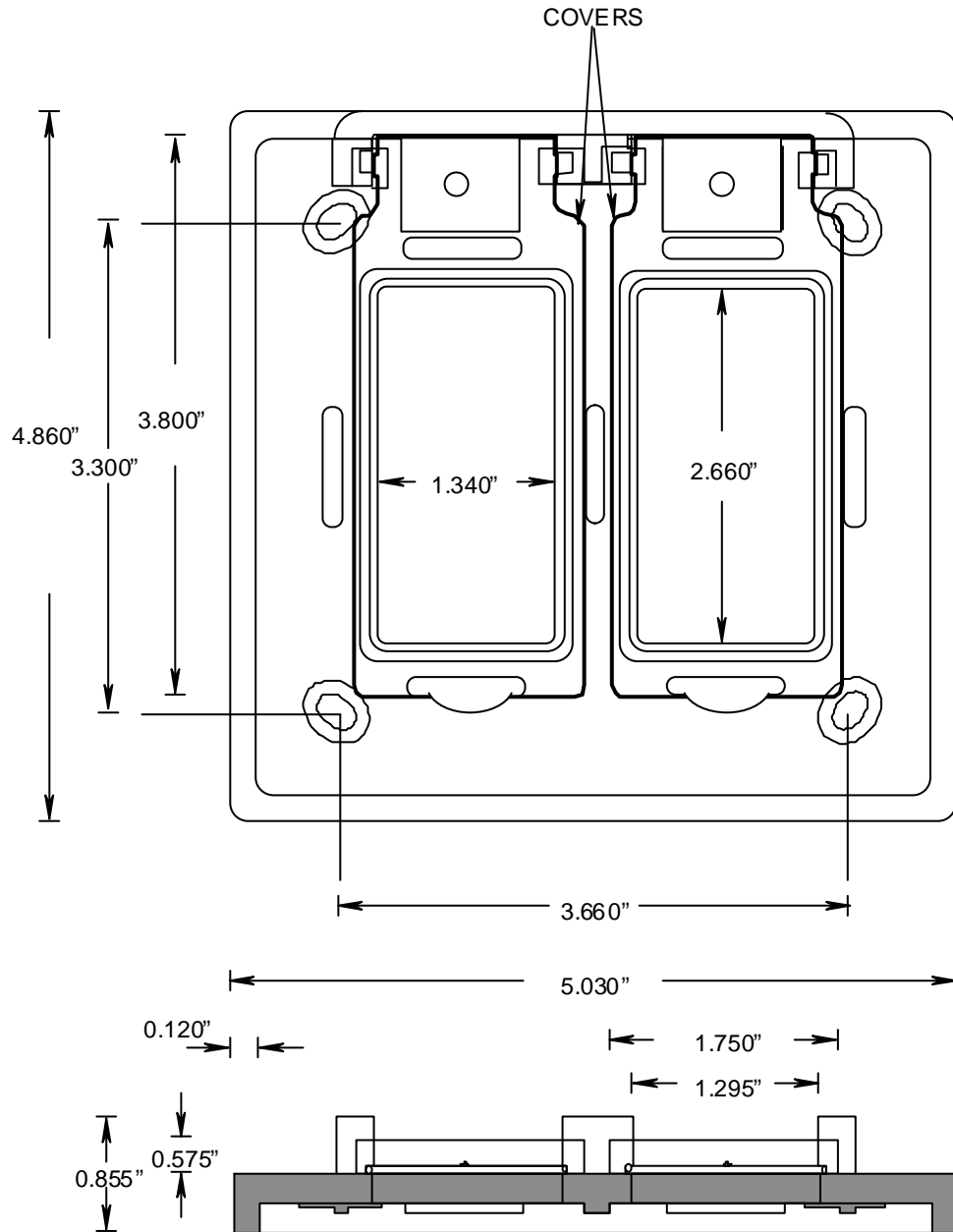
DATE D'EMISSION: 2006 06 30

SUPERCEDES:

REPLACE: 2004 04 30

2

VSGG20-2 GFI COVERS, 078327



NRTL/C

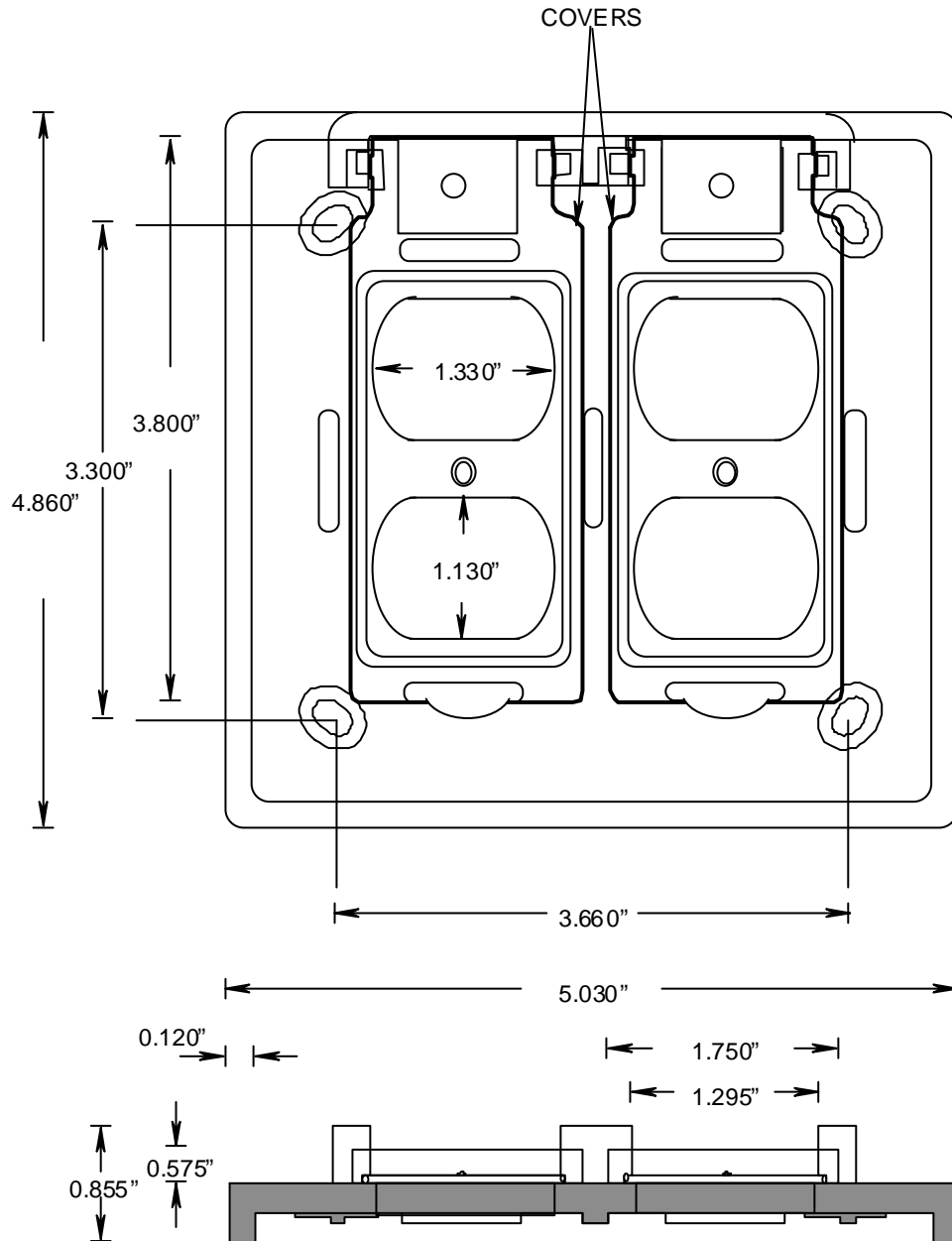


PARTS LIST:

- 072227 (1), DOUBLE GANG UNIV. GASKET
- 072187 (2), LARGE CLIP
- 072229 (4), 6-32X 5/8 TRUSS COMB BR. SCREWS

VSDDG20-2 DUPLEX RECEPTACLE COVERS, 078335

178118, Bulk Packed for Pacific Circle



NRTL/C



PARTS LIST:

- 072227 (1), DOUBLE GANG UNIV. GASKET
- 072187 (2), LARGE CLIP
- 072229 (4), 6-32X 5/8 TRUSS COMB BR. SCREWS
- 172652 (2), 6-32 X17/32 QUADREX SCREWS