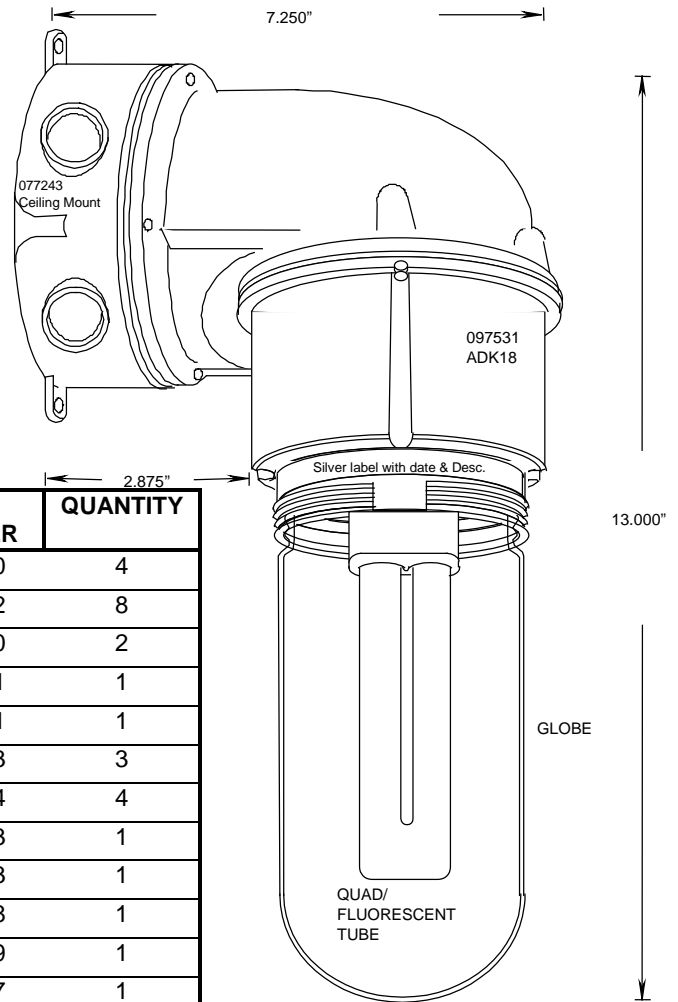


NON-METALLIC LIGHT FIXTURES

ISSUE DATE:
DATE D'EMISSION: 2000 12 05

WMF9 WALL MOUNTS W/O GUARD

SUPERCEDES:
REPLACE:



COMMON PART LIST:

DESCRIPTION	PART NUMBER	QUANTITY
5 X 1/2 PLATED STEEL WOOD TAPPING SCREWS	072530	4
8-32 X 1/2 PAN COMB SCREWS	072522	8
150 BOX RED GASKET	072820	2
ADK18	097531	1
RED SMAL GASDKET	072821	1
8 X 3/4 TAPPING PAN SLOT TYPE A SCREWS	072523	3
3/4" X 1/2" REDUCER BUSHINGS 1805	097554	4
VPB150 CEILING MOUNT	077243	1
WB150 90D WALL MOUNT	077233	1
BALLAST/ TRANSFORMER 18 WATT	072848	1
18 WATT LAMP HOLDER	072849	1
18 WATT FLUORESCENT TUBE	072847	1

SPECIFIC PART LIST:

PRODUCT CODE	PART NUMBER	GLOBE CODE	VPL9 ASSY CODE
077865	WPL9PCC Wall Mount Clear	072833	077155
077866	WPL9PCR Wall Mount Red	072831	077156
077867	WPL9PCB Wall Mount Blue	072834	077157
077868	WPL9PCG Wall Mount Green	072839	077158
077869	WPL9PCA Wall Mount Amber	072832	077159