

CSA, UL, NRTL/C

RIGID PVC CONDUIT FITTINGS

DIMENSIONS

ISSUE DATE:

DATE D'EMISSION: 2002 11 15

SUPERCEDES:

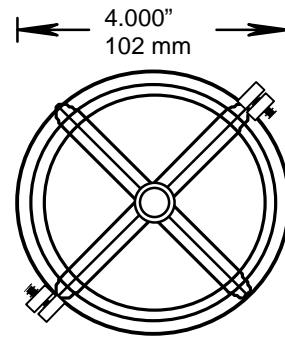
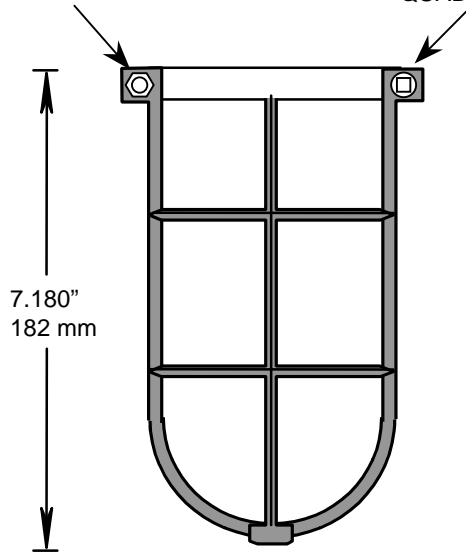
REPLACE: 2002 01 15

1

**LVPU150 VAPOR-PROOF FIXTURE GUARD, 077558**

072927  
8-32 HEX NUT S.S.

072925  
8-32X 3/4  
QUADREX S.S.



Filename: LIGHT FIX-0.4.7.doc  
Directory: \\Bersrvbdc\bergen\QC MANUAL  
Template: C:\Documents and Settings\joelau\Application  
Data\Microsoft\Templates\Normal.dot  
Title: 1  
Subject:  
Author: joe lau  
Keywords:  
Comments:  
Creation Date: 11/7/2002 10:43 AM  
Change Number: 3  
Last Saved On: 11/7/2002 10:43 AM  
Last Saved By: Joe Lau  
Total Editing Time: 0 Minutes  
Last Printed On: 8/8/2005 12:06 PM  
As of Last Complete Printing  
Number of Pages: 1  
Number of Words: 10 (approx.)  
Number of Characters: 62 (approx.)