

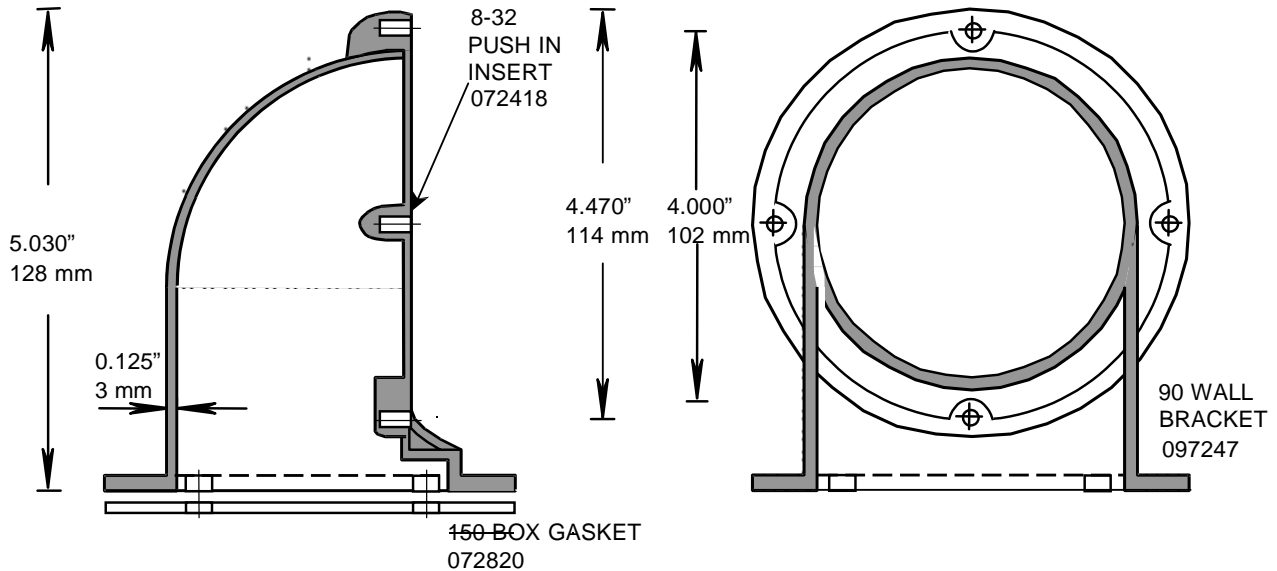
**NON-METALLIC LIGHT FIXTURES**

**ISSUE DATE:**  
**DATE D'EMISSION:** 2005 01 30

**90 DEGREE WALL BRACKETS, WB150**

**SUPERCEDES:**  
**REPLACE:** 2004 03 30

5



**COMMON PART LIST:**

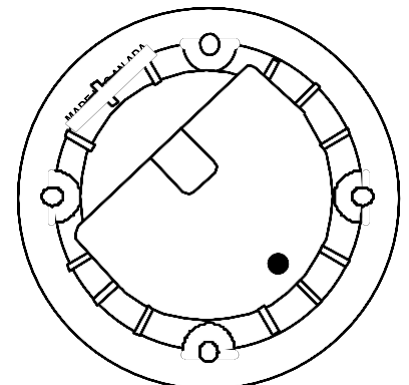
DESCRIPTION	PART NUMBER	QUANTITY
90 DEGREE WALL BRACKET SUB ASSEMBLY	097550	1
8-32 X 1/2 PAN COMB SCREWS	072522	4
150 BOX RED GASKET	072820	1
8-32 REGULAR INSERTS	072847	4

**SPECIFIC PART LIST:**

PRODUCT CODE	PART NUMBER	SCREW CODE
076320*	90 Degree Wall Bracket, KILLARK	-
077233	90 Degree Wall Bracket, WB150	072522
077559**	90 Degree Wall Bracket, Red Dot	072522
097245	90 Degree Wall Bracket, NRL	-
097247	90 Degree Wall Bracket Sub-Assembly	-

\* With Killark Logo

\*\* Blank logo



**PART# 077259**  
**REF: 077233**

\* **Red Dot Location**

