

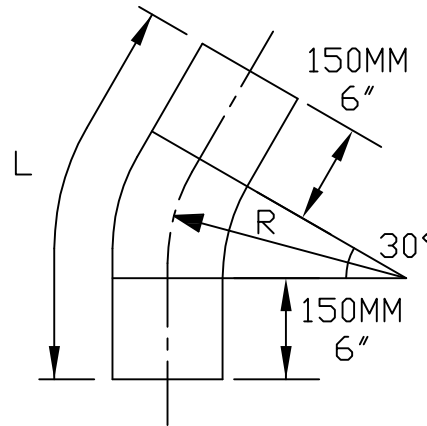
RIGID PVC CONDUIT
CONDUIT RIGIDE EN PVC

30° SCH40 BEND PE / 30° SCH40 COUDE BU

ISSUE DATE: 2002 12 06
DATE D'EMISSION:

SUPERSEDES: 2000 12 28
REPLACE:

LONG RADIUS/ LONG RAYON



	CODE	Size Grosueur	L Ref.	R Ref.
	# 068905	53mm (2")	546mm (21.5")	457mm (18.0")
KRALOY	# 068928 # 078761	91mm (3.5")	622mm (24.50")	610mm (24.0")
KRALOY	# 068929 # 078762	103mm (4")	622mm (24.50")	610mm (24.0")
	# 068949	103mm (4")	705mm (27.75")	762mm (30.0")
KRALOY	# 068965 # 078767	53mm (2")	787mm (31.0")	914mm (36.0")
	# 068967	78mm (3")	787mm (31.0")	914mm (36.0")
KRALOY	# 068969 # 078771	103mm (4")	787mm (31.0")	914mm (36.0")
KRALOY	# 068989 # 078804	103mm (4")	946mm (37.25")	1219mm (48.0")
	# 068992	155mm (6")	946mm (37.25")	1219mm (48.0")

#-UL APPROVED / APPROUVES

L-LENGTH OF PIPE BEFORE BENDING / LONGUEUR DU TUYAU AVANT D'ETRE COURBE