

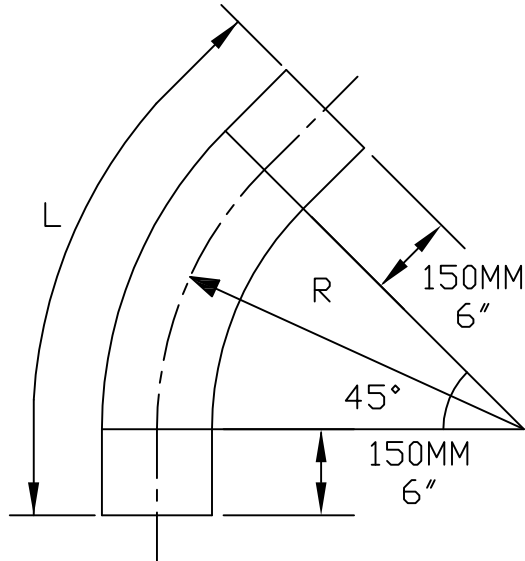
RIGID PVC CONDUIT
CONDUIT RIGIDE EN PVC

45° SCH40 BEND PE / 45° SCH40 COUDE BU

ISSUE DATE: 2007 09 13
DATE D'EMISSION:

SUPERSEDES: 2002 12 06
REPLACE:

LONG RADIUS/ LONG RAYON



| | CODE | Size Grosseur | L Ref. | R Ref. |
|--------|----------------------|------------------|--------------------|-------------------|
| KRALOY | # 068869 # 078733 | 103mm (4") | 1022mm (40.25") | 914mm (36.0") |
| KRALOY | # 068871 # 078734 | 129mm (5") | 1022mm (40.25") | 914mm (36.0") |
| KRALOY | # 068872 # 078735 | 155mm (6") | 1022mm (40.25") | 914mm (36.0") |
| KRALOY | # 068887 # 078741 | 78mm (3") | 1264mm (49.75") | 1219mm (48.0") |
| KRALOY | # 068889 # 078743 | 103mm (4") | 1264mm (49.75") | 1219mm (48.0") |
| KRALOY | # 068892 # 078745 | 155mm (6") | 1264mm (49.75") | 1219mm (48.0") |
| | 068082 | 200mm (8") | 1264mm (49.75") | 1219mm (48.0") |

#-UL APPROVED / APPROUVES

L-LENGTH OF PIPE BEFORE BENDING / LONGUEUR DU TUYAU AVANT D'ETRE COURBE