

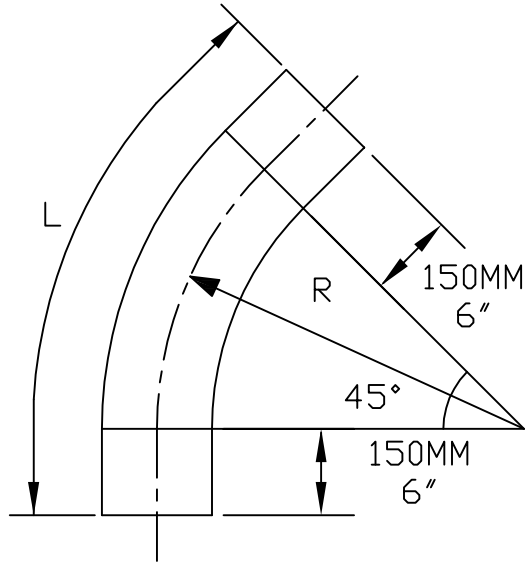
RIGID PVC CONDUIT  
CONDUIT RIGIDE EN PVC

45° SCH40 BEND PE / 45° SCH40 COUDE BU

ISSUE DATE: 2002 12 06  
DATE D'EMISSION:

SUPERSEDES: 2000 12 28  
REPLACE:

LONG RADIUS/ LONG RAYON



	CODE	Size Grosueur	L Ref.	R Ref.
KRALOY	# 068804 # 078711	41mm (1.5")	667mm (26.25")	457mm (18.0")
KRALOY	# 068805 # 076727 # 078712	53mm (2")	667mm (26.25")	457mm (18.0")
KRALOY	# 068807 # 078714	78mm (3")	667mm (26.25")	457mm (18.0")
KRALOY	# 068808	91mm (3.5")	604mm (23.78")	381mm (15.0")
	# 078720	53mm (2")	787mm (31.0")	610mm (24.0")
KRALOY	# 068826 # 076729 # 078721	63mm (2.5")	787mm (31.0")	610mm (24.0")
KRALOY	# 068827 # 078722	78mm (3")	787mm (31.0")	610mm (24.0")
KRALOY	# 068829 # 078724	103mm (4")	787mm (31.0")	610mm (24.0")
KRALOY	# 068862 # 078725	27mm (1")	1022mm (40.25")	914mm (36.0")
KRALOY	# 068865 # 078729	53mm (2")	1022mm (40.25")	914mm (36.0")
KRALOY	# 068866 # 078730	63mm (2.5")	1022mm (40.25")	914mm (36.0")
KRALOY	# 068867 # 078731	78mm (3")	1022mm (40.25")	914mm (36.0")

#- UL APPROVED / APPROUVES

L-LENGTH OF PIPE BEFORE BENDING / LONGUEUR DU TUYAU AVANT D'ETRE COURBE