

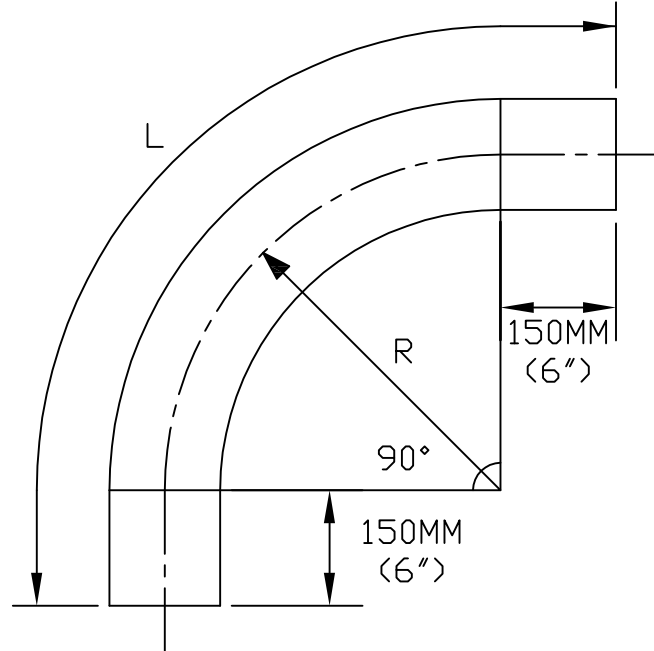
RIGID PVC CONDUIT
CONDUIT RIGIDE EN PVC

90° SCH40 BEND PE / 90° SCH40 COUDE BU

ISSUE DATE: 2009 04 08
DATE D'EMISSION:

SUPERSEDES: 2002 12 06
REPLACE:

LONG RADIUS/ LONG RAYON



	CODE	Size Grosueur	L Ref.	R Ref.
KRALOY	# 068789 # 078706	103mm (4")	2222mm (87.50")	1219mm (48.0")
KRALOY	# 068791 # 078707	129mm (5")	2222mm (87.50")	1219mm (48.0")
KRALOY	# 068792 # 078708	155mm (6")	2286mm (90.0")	1219mm (48.0")

#-UL APPROVED / APPROUVES

L-LENGTH OF PIPE BEFORE BENDING / LONGUEUR DU TUYAU AVANT D'ETRE COURBE