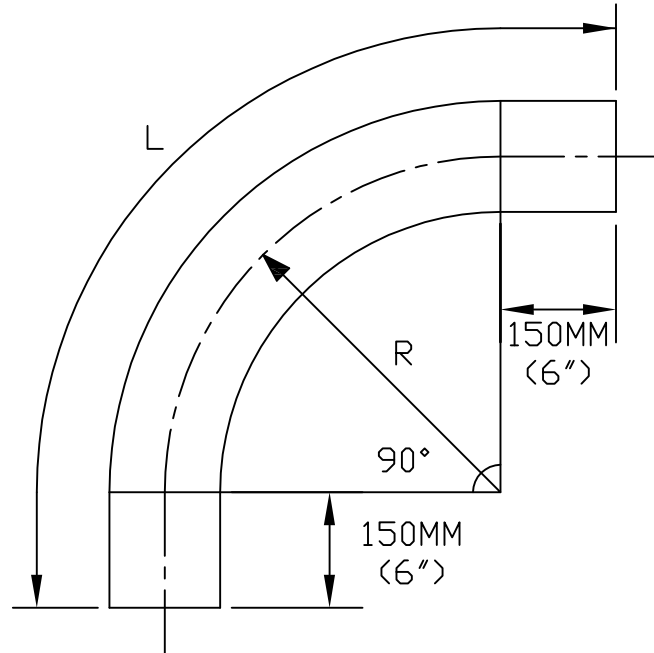


RIGID PVC CONDUIT
CONDUIT RIGIDE EN PVC

90° SCH40 BEND PE / 90° SCH40 COUDE BU

LONG RADIUS/ LONG RAYON



| | CODE | Size Grosueur | L Ref. | R Ref. |
|--------|----------------------|------------------|--------------------|-------------------|
| KRALOY | # 068789 # 078706 | 103mm (4") | 2222mm (87.50") | 1219mm (48.0") |
| KRALOY | # 068791 # 078707 | 129mm (5") | 2222mm (87.50") | 1219mm (48.0") |
| KRALOY | # 068792 # 078708 | 155mm (6") | 2286mm (90.0") | 1219mm (48.0") |

#-UL APPROVED / APPROUVES

L-LENGTH OF PIPE BEFORE BENDING / LONGUEUR DU TUYAU AVANT D'ETRE COURBE