

RIGID PVC CONDUIT  
CONDUIT RIGIDE EN PVC

90° SCH40 BEND PE / 90° SCH40 COUDE BU

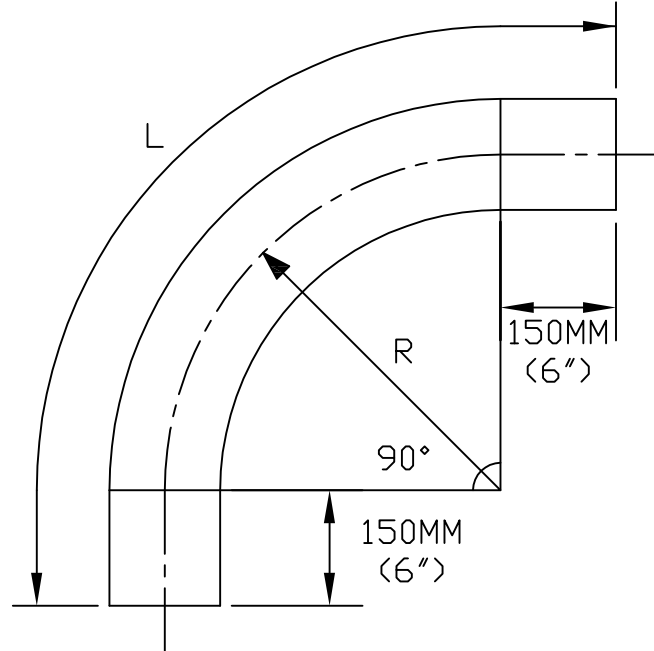
ISSUE DATE: 2009 04 08

DATE D'EMISSION:

SUPERSEDES: 2002 12 06

REPLACE:

LONG RADIUS/ LONG RAYON



|        | CODE                 | Size<br>Grosueur | L<br>Ref.          | R<br>Ref.         |
|--------|----------------------|------------------|--------------------|-------------------|
| KRALOY | # 068789<br># 078706 | 103mm<br>(4")    | 2222mm<br>(87.50") | 1219mm<br>(48.0") |
| KRALOY | # 068791<br># 078707 | 129mm<br>(5")    | 2222mm<br>(87.50") | 1219mm<br>(48.0") |
| KRALOY | # 068792<br># 078708 | 155mm<br>(6")    | 2286mm<br>(90.0")  | 1219mm<br>(48.0") |

#-UL APPROVED / APPROUVES

L-LENGTH OF PIPE BEFORE BENDING / LONGUEUR DU TUYAU AVANT D'ETRE COURBE