

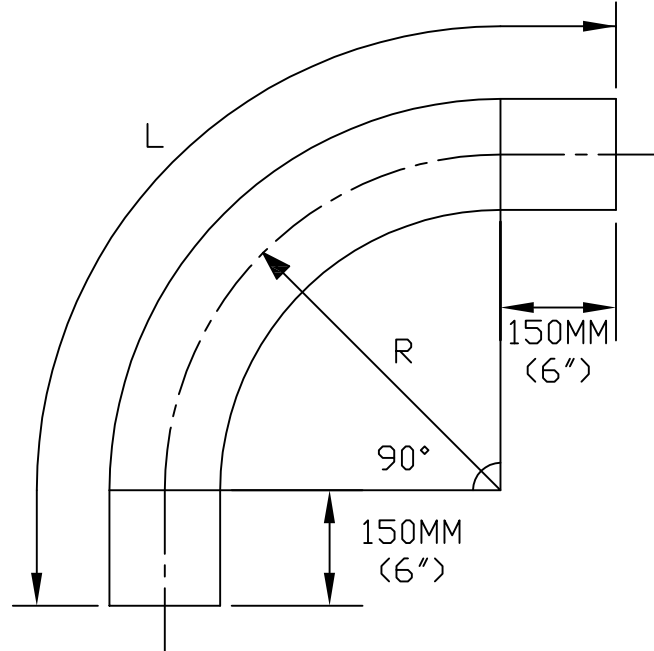
RIGID PVC CONDUIT  
CONDUIT RIGIDE EN PVC

90° SCH40 BEND PE / 90° SCH40 COUDE BU

ISSUE DATE: 2009 06 10  
DATE D'EMISSION:

SUPERSEDES: 2002 12 06  
REPLACE:

LONG RADIUS/ LONG RAYON



	CODE	Size Grosueur	L Ref.	R Ref.
KRALOY	# 068768 # 078695	91mm (3.5")	1740mm (68.50")	914mm (36.0")
KRALOY	# 068769 # 078696	103mm (4")	1740mm (68.50")	914mm (36.0")
KRALOY	# 068771 # 078697	129mm (5")	1829mm (72.0")	914mm (36.0")
KRALOY	# 068772 # 078698	155mm (6")	1778mm (70.0")	914mm (36.0")
KRALOY	# 068782 # 078699	27mm (1")	2222mm (87.50")	1219mm (48.0")
KRALOY	# 068783 # 078700	35mm (1.25")	2222mm (87.50")	1219mm (48.0")
KRALOY	# 068784 # 078701	41mm (1.5")	2222mm (87.50")	1219mm (48.0")
KRALOY	# 068785 # 078702	53mm (2")	2222mm (87.50")	1219mm (48.0")
KRALOY	# 068786 # 078703	63mm (2.5")	2222mm (87.50")	1219mm (48.0")
KRALOY	# 068787 # 078704	78mm (3")	2222mm (87.50")	1219mm (48.0")

#-UL APPROVED / APPROUVES

L-LENGTH OF PIPE BEFORE BENDING / LONGUEUR DU TUYAU AVANT D'ETRE COURBE