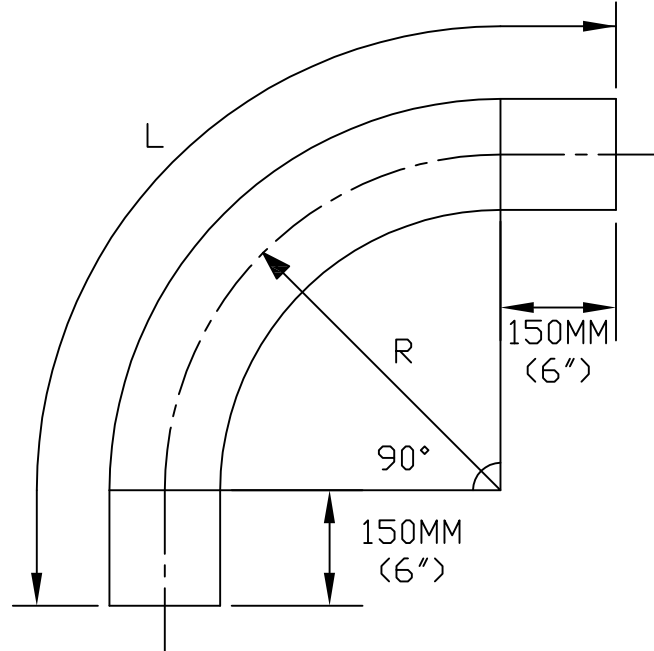


RIGID PVC CONDUIT
CONDUIT RIGIDE EN PVC

90° SCH40 BEND PE / 90° SCH40 COUDE BU

LONG RADIUS/ LONG RAYON



	CODE	Size Grosueur	L Ref.	R Ref.
	# 068731	129mm (5")	1264mm (49.75")	610mm (24.0")
KRALOY	# 068745 # 078797	53mm (2")	1264mm (49.75")	762mm (30.0")
KRALOY	# 068746 # 078800	63mm (2.5")	1505mm (59.25")	762mm (30.0")
KRALOY	# 068749 # 078789	103mm (4")	1505mm (59.25")	762mm (30.0")
	# 068752	155mm (6")	1505mm (59.25")	762mm (30.0")
KRALOY	# 068762 # 078689	27mm (1")	1740mm (68.50")	914mm (36.0")
KRALOY	# 068763 # 078690	35mm (1.25")	1740mm (68.50")	914mm (36.0")
KRALOY	# 068764 # 078691	41mm (1.5")	1740mm (68.50")	914mm (36.0")
KRALOY	# 068765 # 078692	53mm (2")	1740mm (68.50")	914mm (36.0")
KRALOY	# 068766 # 078693	63mm (2.5")	1740mm (68.50")	914mm (36.0")
KRALOY	# 068767 # 078694	78mm (3")	1740mm (68.50")	914mm (36.0")

#- UL APPROVED / APPROUVES

L-LENGTH OF PIPE BEFORE BENDING / LONGUEUR DU TUYAU AVANT D'ETRE COURBE