

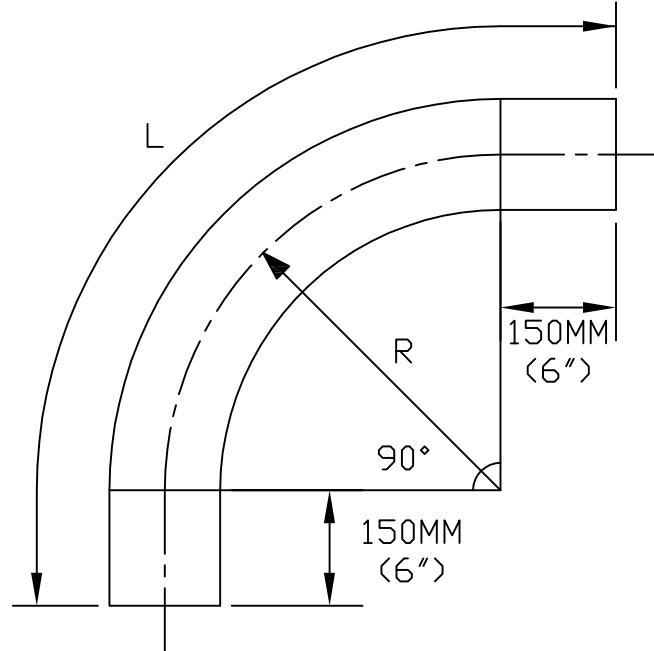
RIGID PVC CONDUIT
CONDUIT RIGIDE EN PVC

90° SCH40 BEND PE / 90° SCH40 COUDE BU

ISSUE DATE: 2002 12 06
DATE D'EMISSION:

SUPERSEDES: 2000 12 28
REMPLECE:

LONG RADIUS/ LONG RAYON



	CODE	Size Grosseur	L Ref.	R Ref.
KRALOY	# 068727 # 076734 # 078685	78mm (3")	1264mm (49.75")	610mm (24.0")
KRALOY	# 068728 # 078686	91mm (3.5")	1264mm (49.75")	610mm (24.0")
KRALOY	# 068729 # 078687	103mm (4")	1264mm (49.75")	610mm (24.0")

#- UL APPROVED / APPROUVES

L-LENGTH OF PIPE BEFORE BENDING / LONGUEUR DU TUYAU AVANT D'ETRE COURBE