

RIGID PVC CONDUIT
CONDUIT RIGIDE EN PVC

90° SCH40 BEND PE / 90°SCH40 COUDE BU

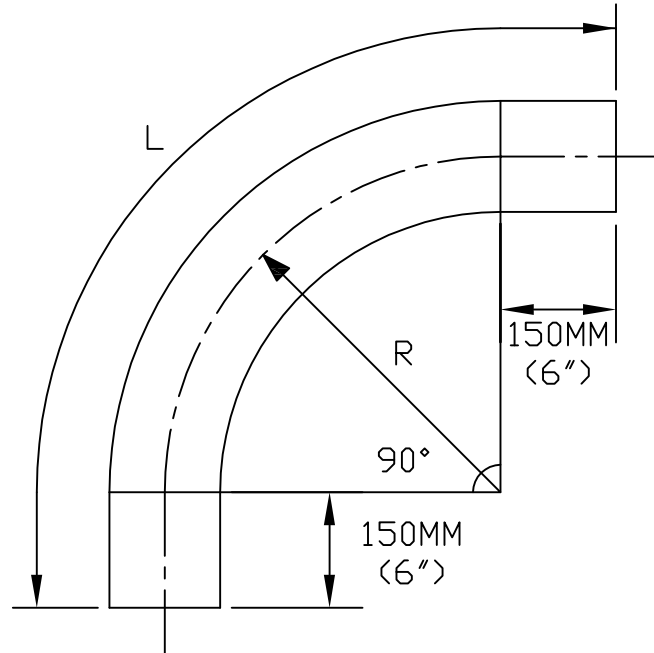
ISSUE DATE: 2002 12 06

DATE D'EMISSION:

SUPERSEDES: 2000 12 28

REPLACE:

LONG RADIUS/ LONG RAYON



	CODE	Size Grosueur	L Ref.	R Ref.
KRALOY	# 068702 # 078670	27mm (1.0")	1022mm (40.25")	457mm (18.0")
KRALOY	# 068717 # 078671	35mm (1.25")	1022mm (40.25")	457mm (18.0")
KRALOY	# 068704 # 078672	41mm (1.5")	1022mm (40.25")	457mm (18.0")
KRALOY	# 068705 # 078673	53mm (2")	1022mm (40.25")	457mm (18.0")
KRALOY	# 068706 # 078674	63mm (2.5")	1022mm (40.25")	457mm (18.0")
KRALOY	# 068707 # 078675	78mm (3")	1022mm (40.25")	457mm (18.0")
KRALOY	# 068722 # 078680	27mm (1")	1264mm (49.75")	610mm (24.0")
KRALOY	# 068723 # 078681	35mm (1.25")	1264mm (49.75")	610mm (24.0")
KRALOY	# 068724 # 078682	41mm (1.5")	1264mm (49.75")	610mm (24.0")
KRALOY	# 068725 # 078683	53mm (2")	1264mm (49.75")	610mm (24.0")
KRALOY	# 068726 # 078684	63mm (2.5")	1264mm (49.75")	610mm (24.0")

#- UL APPROVED / APPROUVES

L-LENGTH OF PIPE BEFORE BENDING / LONGUEUR DU TUYAU AVANT D'ETRE COURBE