

RIGID PVC CONDUIT
CONDUIT RIGIDE EN PVC

90° SCH80 BEND PE / 90° SCH80 COUDE BU

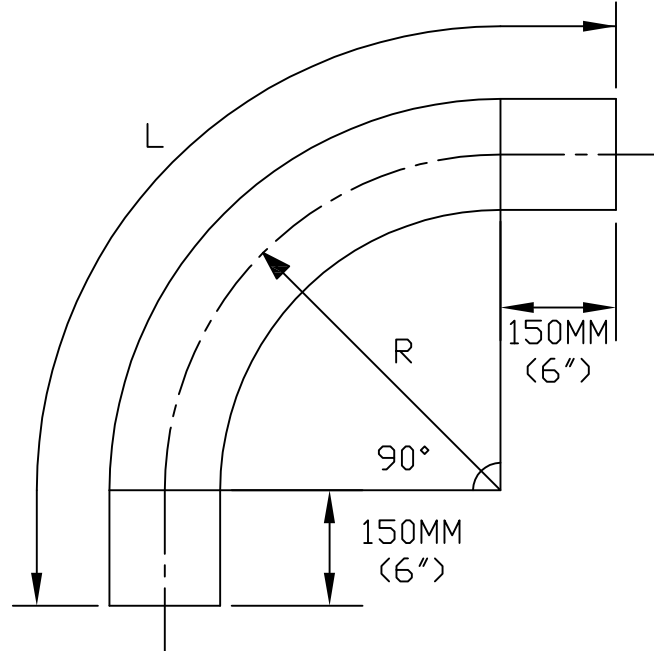
ISSUE DATE: 2002 12 06

DATE D'EMISSION:

SUPERSEDES: 2000 12 28

REPLACE:

LONG RADIUS/ LONG RAYON



CODE	Size Grosueur	L Ref.	R Ref.
# 068710	27mm (1")	1022mm (40.25")	457mm (18.0")
# 068711	35mm (1.25")	1022mm (40.25")	457mm (18.0")
# 068712	41mm (1.5")	1022mm (40.25")	457mm (18.0")
# 068713	53mm (2")	1022mm (40.25")	457mm (18.0")
# 068714	63mm (2.5")	1022mm (40.25")	457mm (18.0")
# 068715	78mm (3")	1022mm (40.25")	457mm (18.0")
# 068716	103mm (4")	1022mm (40.25")	457mm (18.0")
# 068735	35mm (1.25")	1264mm (49.75")	610mm (24.0")

#-UL APPROVED / APPROUVES

L-LENGTH OF PIPE BEFORE BENDING / LONGUEUR DU TUYAU AVANT D'ETRE COURBE