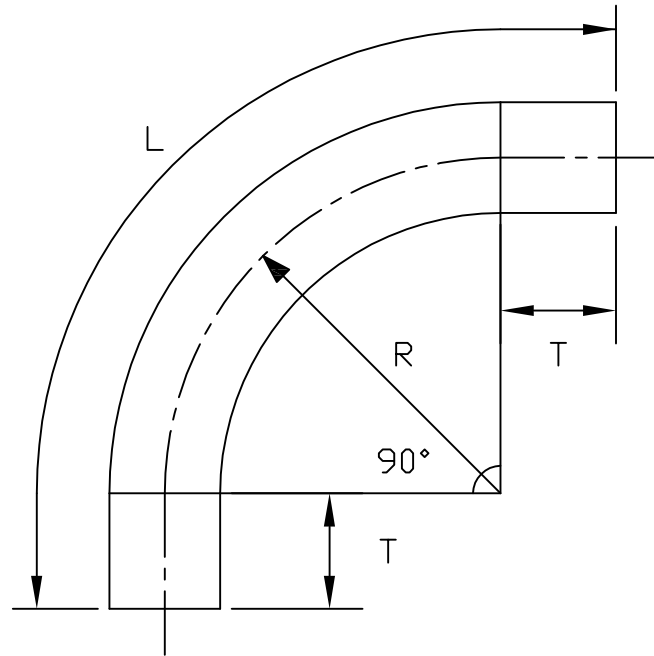


RIGID PVC CONDUIT  
CONDUIT RIGIDE EN PVC

90° SCH40 BEND PE / COUDE 90° SCH40 BU

ISSUE DATE: 2009 01 27  
DATE D'EMISSION:

SUPERSEDES: 2007 01 03  
REPLACE:



	CODE	Size Grosueur	L Ref.	R Ref.	T Ref.
KRALOY	# 068113	50mm (2.0")	2576mm (101.40")	1524mm (60.0")	86mm (3.40")
KRALOY	# 068586 # 078546	63mm (2.5")	705mm (27.75")	267mm (10.50")	76mm (3.0")
KRALOY	# 068587 # 076633 # 078547	78mm (3")	895mm (35.25)	330mm (13.0")	79mm (3.10)
KRALOY	# 068114	75mm (3.0")	2576mm (101.40")	1524mm (60.0")	86mm (3.40")
KRALOY	# 068588 * 069089 # 078548	91mm (3.5")	902mm (35.50)	381mm (15.0")	83mm (3.25)
KRALOY	# 068589 * 069090 # 078549	103mm (4.0")	940mm (37.0)	406mm (16.0")	86mm (3.40")
KRALOY	# 068112	103mm (4.0")	2576mm (101.40")	1524mm (60.0")	86mm (3.40")
KRALOY	# 068591 # 078550	129mm (5.0")	1524mm (60.0")	610mm (24.0")	92mm (3.60")
KRALOY	# 068115	125mm (5.0")	2576mm (101.40")	1524mm (60.0")	86mm (3.40")
KRALOY	# 068592 # 078551	155mm (6.0")	1524mm (60.0")	762mm (30.0")	95mm (3.75")
KRALOY	# 068052	200mm (8.0")	2337mm (92.0")	1219mm (48.0")	211mm (8.30")

#- UL APPROVED / APPROUVES

\*- CSA CERTIFIED / CERTIFIE

L-LENGTH OF PIPE BEFORE BENDING / LONGUEUR DU TUYAU AVANT D'ETRE COURBE